

For Operators

Silver Digiplate α 2500V

For Silver Digiplate α V

USERS MANUAL




Before attempting to operate this product, you should thoroughly read and fully understand the contents of this manual.


Administrators and supervisors shall not instruct anyone to operate or inspect this product unless he/she is familiar with all the contents of this document.

For your safety



- Please make sure that this Users Manual reaches everyone charged with operating this machine.
- This manual must be thoroughly read and understood by all operators before they attempt to use this equipment.
- Caution labels are affixed to potentially hazardous parts or areas of the equipment for the safety of the operators and maintenance staff. Caution labels are classified into two types — “WARNING” and “CAUTION” — depending upon the degree of potential danger as shown below. Please read, understand and heed the meanings of these labels to protect yourself and to prevent unforeseen accidents.

 **WARNING** Indicates a potentially hazardous situation which, if not avoided or properly handled, could possibly result in death or serious injury.

 **CAUTION** Indicates a potentially hazardous situation which, if not avoided or properly handled, could possibly result in minor or moderate injury.

- Keep this manual available and near the equipment at all times so that it can be immediately referred to whenever necessary.
- Look up the name, address and phone number of our nearest dealer or branch office (listed on the back page of this manual), and post the information prominently for quick reference.

WARNING

All machine operators must read this manual carefully and thoroughly (especially Chapter 1). Do not turn on the machine's power supply until all of the precautions have been read and understood. Very serious accidents may occur if this instruction is not observed.

Compliance with FCC Rules

Notice for the USA

This equipment has been tested and found to comply with the limits for a Class A digital device, pursuant to Part 15 of the FCC Rules. These limits are designed to provide reasonable protection against harmful interference when the equipment is operated in a commercial environment. This equipment generates, uses, and can radiate radio frequency energy and, if not installed and used in accordance with the instruction manual, may cause harmful interference to radio communications. Operation of this equipment in a residential area is likely to cause harmful interference, in which case users will be required to correct the interference at their own expense. Changes or modifications not expressly approved by Mitsubishi Paper Mills., Ltd. could void the user's authority to operate the equipment.

Notice for Canada

This Class A digital apparatus meets all requirements of the Canadian Interference-Causing Equipment Regulations.

Cet appareil numérique de la Classe A respecte toutes les exigences du Règlement sur le matériel brouilleur du Canada.

Export

International transfer of this product, any of its parts, components and/or software must be carried out in compliance with the relevant laws and ordinance of the country of export and the country of product end-use. We do not assume any responsibility of liability for product transferred without regard to proper export/import regulations or procedures.

Limit of responsibility

Please note that equipment specifications are subject to change without notice for updates and improvements. This may cause inconsistencies between the contents of this manual and the equipment you currently possess. We shall not be held responsible for any damage caused by conditions beyond our control such as customer modification, disassembly or misuse of our equipment, programs or software, or their use in a defective or deficient environment.

We assume no responsibility or liability for any damage or consequential and/or indirect losses resulting from any accident or malfunction that might occur during the operation of this equipment.

Although great care has been taken in preparing this manual, if you find that certain points seem unclear or in error, please contact Mitsubishi Paper Mills., Ltd.

To the best of our knowledge, the various parameters and data presented in this manual are reliable under the conditions described. However, we shall not be held legally responsible for the accuracy or relevance of this information. Furthermore, we assume no responsibility or liability for any damage or consequential and/or indirect losses resulting from any accident or malfunction that might occur during the operation of the SDP- α 2500V.

Copyright

© 2002 Mitsubishi Paper Mills, Ltd.

The copyright for this entire manual belongs to Mitsubishi Paper Mills, Ltd. Copying, reprinting, or reproduction of this manual in whole or in part in any media without our express consent infringes upon the copyright and the rights of the publisher.

Introductory note


Thank you very much for choosing Mitsubishi's SDP- α 2500V. We sincerely hope that you will enjoy using this equipment, and fully utilize all its functions and capabilities.


This SDP- α 2500V is designed and manufactured solely for exposing to plates electronic signal data in the computer using laser beams, and should not be used for any other purpose. If this equipment is utilized for purposes or uses other than those described above, we shall bear absolutely no liability or responsibility for the consequences. Neither shall we bear responsibility for any damage, losses or malfunctions caused by using or operating this machine in ways other than those which we and the client have previously mutually agreed upon in writing.


Caution headings


The following descriptions of safety precautions and operating procedures are intended solely for the benefit of operators and other personnel using the SDP- α 2500V for its originally intended purposes.

This manual uses the following headings to direct attention to important safety information. WARNING and CAUTION headings call special attention to areas or operations which can cause hazardous situations when using the SDP- α 2500V. Please read, understand, and heed the contents of these notes to protect yourself and to prevent unforeseen accidents.

 **WARNING** Indicates a potentially hazardous situation which, if not avoided or properly handled, could possibly result in death or serious injury.

 **CAUTION** Indicates a potentially hazardous situation which, if not avoided or properly handled, could possibly result in minor or moderate injury.

 Indicates items that will cause improper operation if performed. These items must never be performed.

 Indicates items that must be performed for proper operation. These items must always be performed.

CAUTION! Indicates a situation that could either cause damage to the equipment, destroy data or necessitate extensive reduplicated effort. Strictly follow the noted instructions.

NOTE Indicates either: a method to prevent an operational error; a remark on the machine's specifications, functions, performance or contractual provisions; or information that must be understood prior to a particular operation.

DISPLAY This typeface is used to indicate the actual text that appears in the display of the operation panel.

Other terminology used in this manual

In this manual, the SDP- α 2500V is referred to as the “SDP” unless otherwise noted.

The structure of this manual

This manual contains the following sections:

- | | |
|------------------|--|
| Chapter 1 | On Safety
Provides information necessary for safe use of the SDP. |
| Chapter 2 | Precautions During Transport and Installation
Explains about the transportation and installation of the SDP. |
| Chapter 3 | Names of Primary Parts
Provides an overview of the SDP and explains its configuration. |
| Chapter 4 | Operation
Explains the basic methods for operating the SDP. |
| Chapter 5 | User Menu
Explains how to set the various parameters of the SDP. |
| Chapter 6 | Maintenance and Inspection
Explains about daily maintenance and inspection of the SDP. |
| Chapter 7 | Messages
Explains the messages that appears in the display of the operation panel of the SDP. |
| Chapter 8 | Jam Correction
Describes the common problems SDP and their solutions. |
| Chapter 9 | Specifications
Contains technical information about the SDP. |

CONTENTS

Chapter 1 On Safety

1. Safety Rules.....	1-2
2. Precautions for electricity	1-3
3. Precautions for equipment operation	1-4
4. Maintenance	1-5
5. Caution labels on the equipment	1-5
6. For safety operation of laser devices	1-10
7. Equipment disposal	1-10

Chapter 2 Precautions During Transport and Installation

1. Transport and installation	2-2
2. Installation environment	2-2
3. Installation space	2-3
4. Floor strength	2-3
5. Grounding connection	2-3
6. Power supply and power cables	2-4

Chapter 3 Names of Primary Parts

1. Main unit	3-2
2. Operation panel	3-5
3. Accessories	3-6
3.1 Standard accessories	3-6

Chapter 4 Operation

1. Operation outline	4-2
2. Connecting cables	4-4
3. Turning ON/OFF the power supply	4-5
3.1 Turning ON the power supply	4-5
3.2 Turning OFF the power supply	4-5
4. Date and time setting	4-5
5. Menus and panel displays	4-6
5.1 Functions of display	4-6
5.2 Functions of key area	4-7
5.3 Functions of lamp area	4-7
5.4 Menus tier chart	4-8
5.5 Overview of the various settings	4-10
5.6 How to change the selected item	4-11
5.7 How to input setting values	4-12
5.8 How to store setting values	4-13
5.9 How to instruct the SDP for actual operations	4-13
5.10 Remote mode	4-14
6. Exchanging the cassette	4-18
6.1 Cassette No. identification label	4-18
6.2 Setting the plates	4-19
6.3 Height adjustment for the cassette carrier caster	4-28
6.4 Handling the cassette and cassette carrier	4-31

7. Removing interleaf	4-31
8. DIMM	4-32

Chapter 5 User Menu

1. Replacing the cassette	5-2
2. Setting the selected cassette information	5-3
2.1 Registering the printing machine No.	5-3
2.2 Setting the plate size	5-4
2.3 Inputting the remaining number of plates	5-4
3. Setting the cassette information	5-5
3.1 Selecting the cassette No.	5-5
3.2 Registering the printing machine No.	5-5
3.3 Setting the plate size	5-6
3.4 Registering the plate type No.	5-7
3.5 Inputting the remaining number of plates	5-7
4. Setting the printing machine information	5-8
4.1 Selecting the printing machine No.	5-8
4.2 Select the gripping direction	5-8
4.3 Setting the grip	5-11
4.4 Setting the trailing gripper edge margin	5-12
4.5 Setting the punch	5-13
4.6 Image centering	5-15
5. Setting the plate type information	5-17
5.1 Setting the light intensity	5-17
5.2 Setting the plate type to negative or positive	5-17
6. Setting the exposure conditions	5-18
6.1 Output mode selections	5-18
6.2 Setting the plate loading method	5-19
7. Transportation of the plate	5-20
7.1 Discharging the plate	5-20
7.2 Test exposure	5-20
8. Processing the unexposed data	5-23
9. Switching the SCSI-ID number	5-24
10. Displaying the program version	5-25
11. Select the buzzer operation	5-26

Chapter 6 Maintenance and Inspection

1. Cleaning the cylindrical lens	6-2
2. Collecting punch debris	6-4
3. Cleaning the dust removal roller	6-6
4. Cleaning other rollers and transfer belts	6-7
4.1 Near the front doors of the plate supply unit	6-7
4.2 On the plate supply outlet side	6-7
5. Cleaning the table	6-8
6. Cleaning the discharge roller	6-9
SDP- α 2500V Maintenance and Inspection chart	6-10
7. Maintenance parts	6-11
7.1 Information required when ordering parts	6-11

Chapter 7 Messages

1. Message items	7-2
2. Status display	7-3
3. Error display and error reset	7-4
4. Error messages and other messages	7-5

Chapter 8 Jam Correction

1. Plate jam correction	8-2
1.1 On the plate supply unit front door side	8-2
1.2 Between the plate supply unit and table	8-3
1.3 On the discharge side	8-5
2. Interleaf jam correction	8-6
2.1 On the insertion opening side	8-6
2.2 In the intermediate area	8-6
2.3 On the discharge side	8-8

Chapter 9 Specifications

1. Standard specifications	9-2
2. Dimensions	9-4







Chapter 1

On Safety



1. Safety Rules

Please observe the following safety rules.

WARNING

-  The SDP contains high voltage electrical circuits. Coming into contact with these circuits may result in severe injury and even death. Exercise sufficient caution so as to never touch these circuits.
-  Never allow water to enter the SDP unit. This may result in electrical shock and damage the unit.
-  Do not operate the unit when there are gas vapors in the air that may ignite or explode.
-  The SDP is equipped with interlocks to ensure operator safety. With the exception of times when maintenance personnel are performing maintenance procedures, do not disengage these interlocks. Operating the SDP with the interlocks disengaged may result in serious personal injury.
-  The SDP has been classified as a Class I Laser Product complying with 21 CFR Chapter 1 Subchapter J, and Class 1 Laser Product based on JIS C6802. Please refer to the list at the end of this manual to consult a Dainippon Screen office or agent regarding problems related to laser operation or regarding laser replacement.
-  Do not perform any adjustments or replacement by yourself of any part or internal structure that you may feel affects laser performance.

CAUTION

-  A readily accessible factory power supply switch must be installed in the fixed building wiring before installing the SDP.
-  The edges of the plate are very sharp. When handling the plate, be sure to use non-slip protective gloves. If handled with bare hands, the edges of the plate may cause injury.

CAUTION!

Do not cover the SDP with a cloth or block its air vents in any way.

2. Precautions for electricity

● Power supply

! WARNING

- ! To avoid electrical shock accidents from the AC power supply, make sure that the unit is properly grounded in accordance with operation site regulations.
Ground the SDP separately.
- ! Have a qualified electrician select breakers and perform the electrical work.
- ! Before connecting the SDP power cable to your switchboard, be sure to confirm that the factory power supply switch and the SDP power supply switch are off.
- ⊘ The SDP incorporates high-voltage circuits. Touching any part of your body to such circuits can cause serious injury and even death.

CAUTION!

- ï To prevent current overload, install a current breaker at the power supply before connecting the SDP and the blower to the power supply.
- ï Use the provided power cables to connect the SDP to the power supply.
Power cables are not provided in countries outside Japan. Please refer to Chapter 2, i6. Power Supply and Power Cables, and obtain appropriately rated power cables that conform to the standards of your country or region.

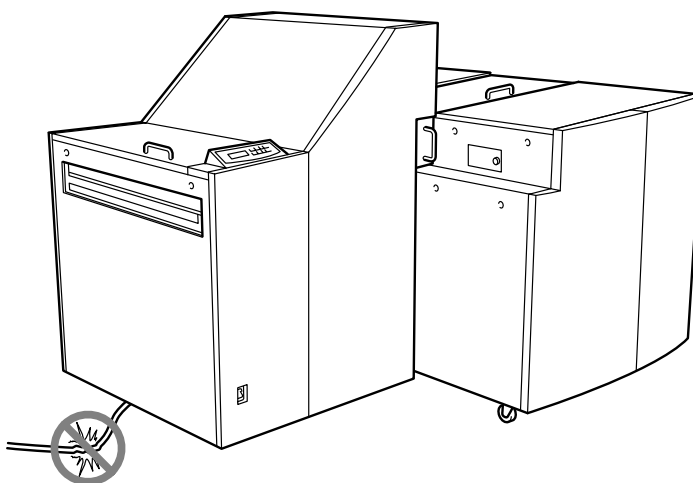
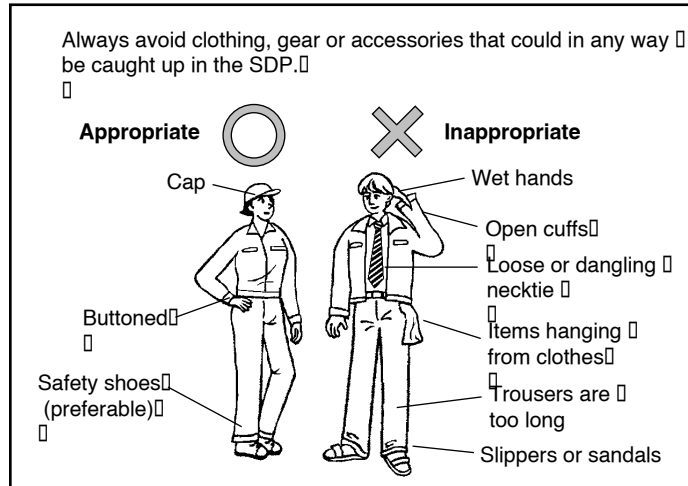


Fig. 1-1: Power cables

3. Precautions for equipment operation

⚠ WARNING

- ⊘ Do not turn on the SDP's power supply or start operation until this manual has been thoroughly read and fully understood.
- ❗ All operators must wear appropriate work clothing.





- ❗ If you discover any abnormality or problem in the SDP, contact your nearest Mitsubishi Paper Mills office or agency to have appropriate measures taken.
- ❗ Even in cases where the SDP is capable of continuous operation, correct unattended operation cannot be guaranteed. A trained operator who is able to handle emergencies and initial safety measures must be present during operation in case an abnormal situation occurs.

Our company offers courses on the proper handling of our products whenever needed. Please attend a course before attempting to operate the SDP. Applications for these courses can be made at any Mitsubishi Paper Mills office or agency.

- ⊘ Do not attempt to operate the SDP when you are not feeling well.
- ⊘ During operation, do not open any protective covers attached to the equipment. Opening these covers may be hazardous to the safety of operators and other persons working in the vicinity, and may also hinder the equipment's normal functioning.

4. Maintenance





WARNING

-  Only maintenance personnel who have received the specified training should perform maintenance work on the SDP.
-  Never turn the machine's power on while maintenance engineers are working on the equipment.

5. Caution labels on the equipment

Caution labels are attached to potentially hazardous parts or areas of this machine for the safety of the operators and maintenance staff. Be sure to observe the following precautions when you perform operation or maintenance of the SDP.

WARNING

-  Be sure to follow the instructions on these labels.
-  Do not peel or tear off labels or erase their markings.
-  Do not block the visibility of labels by covering or placing anything in front of them.
-  If a label has faded or fallen off, replace it immediately with a new one.

NOTE

For replacement labels, contact your nearest Mitsubishi Paper Mills dealer or branch office.

On the SDP, caution and warning labels are placed at the locations shown in Fig. 1-2 through 1-4. Always follow the instructions on these labels when they apply.

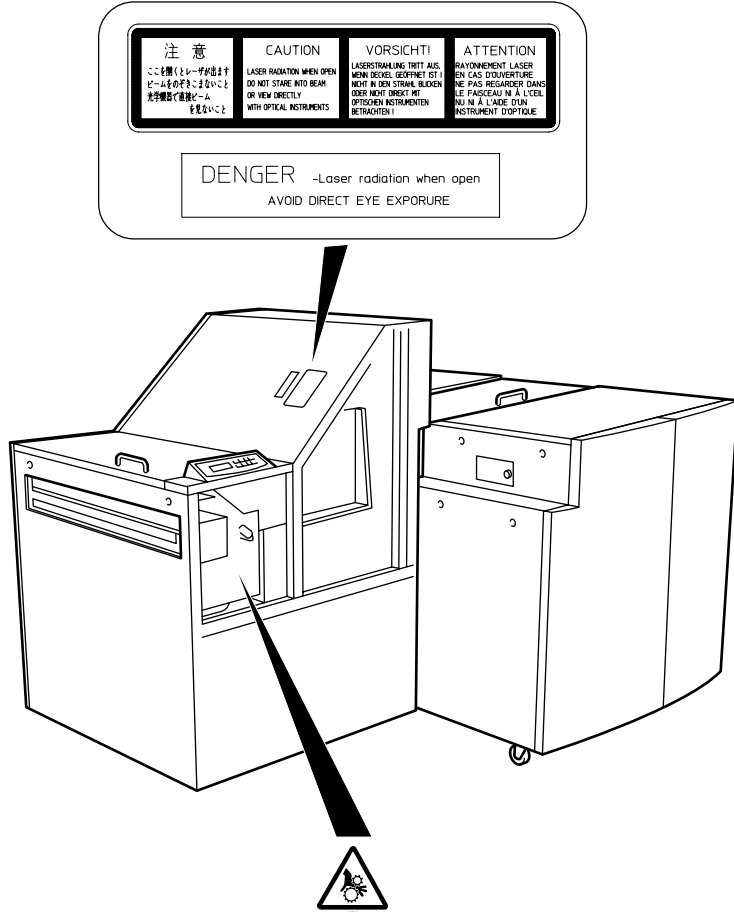
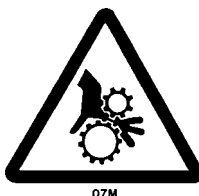
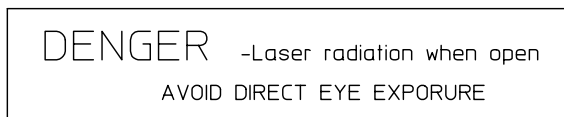
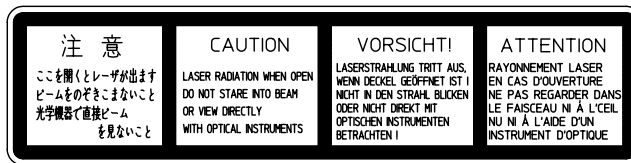


Fig. 1-2: Caution labels locations 1

Label warning that opening this cover may expose you to dangerous laser radiation.



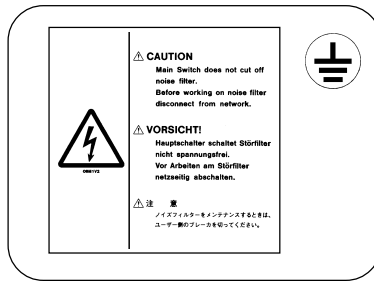
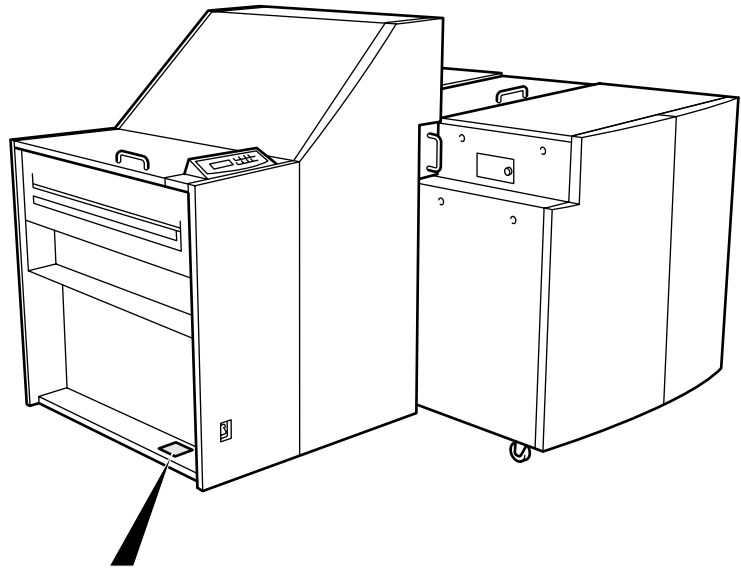
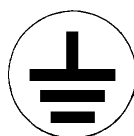


Fig. 1-3: Caution labels locations 2

Label indicating precautions regarding noise filter maintenance.



Label showing the location of a ground terminal.



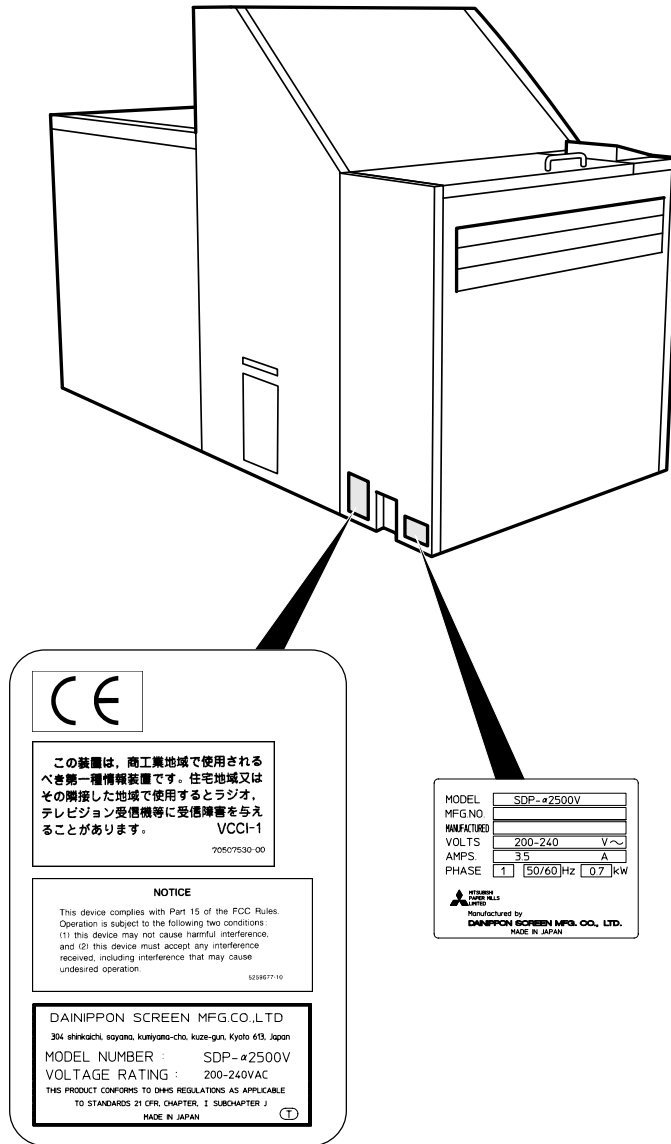



Fig. 1-4: Caution labels locations 3

Label indicating that laser radiation exists inside (for U.S.A. only)

MODEL	SDP- α 2500V		
MFG.NO.			
MANUFACTURED			
VOLTS	200-240	V	~
AMPS.	3.5	A	
PHASE	1	50/60	Hz 0.7 kW


 Manufactured by
DAINIPPON SCREEN MFG. CO., LTD.
 MADE IN JAPAN

Label indicating that there is a danger to fingers/
hands from gears, rollers, etc.

DAINIPPON SCREEN MFG.CO.,LTD	
304 shinkaiichi, sayama, kumiyama-cho, kuze-gun, Kyoto 613, Japan	
MODEL NUMBER :	SDP- α 2500V
VOLTAGE RATING :	200-240VAC
THIS PRODUCT CONFORMS TO DHHS REGULATIONS AS APPLICABLE TO STANDARDS 21 CFR, CHAPTER, I SUBCHAPTER J	
MADE IN JAPAN	(T)

NOTICE

This device complies with Part 15 of the FCC Rules.
Operation is subject to the following two conditions:
(1) this device may not cause harmful interference,
and (2) this device must accept any interference
received, including interference that may cause
undesired operation.

5259677-10

この装置は、商工業地域で使用される
べき第一種情報装置です。住宅地域又は
その隣接した地域で使用するとラジオ、
テレビジョン受信機等に受信障害を与え
ることがあります。 VCCI-1

70507530-00



6. For safety operation of laser devices

⚠ WARNING

- SDP is classified as a Class 1 laser product according to the standards in IEC Pub 1.1 825 1984.
- If the doors shown in the figure below are opened, the interlock switches located in the respective positions (five places) are activated to intercept laser beams.

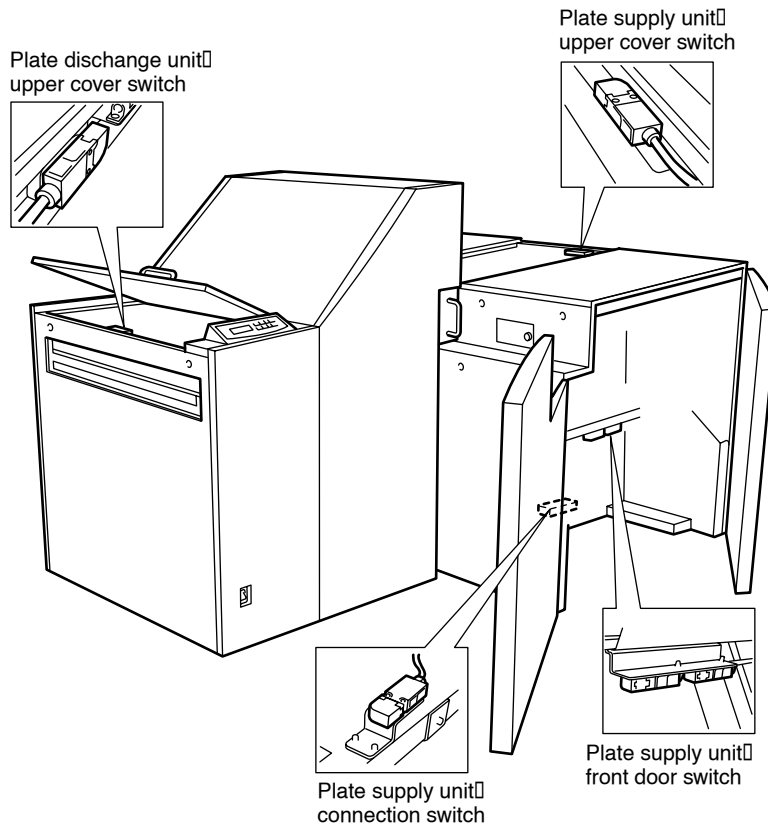


Fig. 1-5: Interlock switches

7. Equipment disposal

⚠ WARNING

- When you dispose of your old equipment, consult one of the Dainippon Screen offices or agents listed at the end of this manual or commission a contractor that specializes in recycling.

Chapter 2

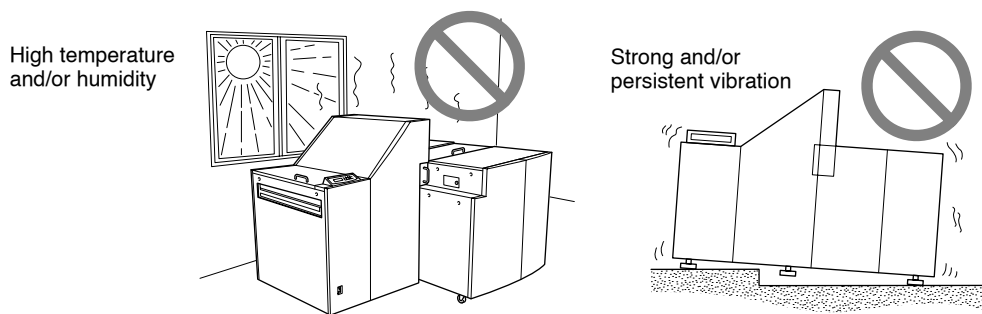
**Precautions During Transport and
Installation**

1. Transport and installation

- ⊘ Installation and moving of the SDP must be performed by a contractor or service technician specified by Mitsubishi Paper Mills. bears absolutely no responsibility for any damage, breakdowns, or malfunctioning resulting from installation or moving by other than a contractor or service technician specified by Mitubishi Paper Mills. Furthermore, Mitubishi Paper Miils extends no guarantees regarding safety in such a case. If you need to have the SDP installed or moved, consult one of the Mitsubishi Paper Mills offices or agencies listed at the end of this manual.

2. Installation environment

- ⊘ Installing the equipment in the following locations may cause machine damage or malfunctions. Do not install the machine anywhere that is exposed or subject to:
- Direct sunlight
 - Locations where electrical interference (voltage fluctuations or noise) may occur
 - Locations close to equipment or devices that produce a strong magnetic field
 - Sudden, drastic temperature changes
 - A nearby heat source
 - High temperature and/or humidity
 - Excessive dirt, grime or dust
 - Strong and/or persistent vibration
 - Dew condensation
 - Locations where the SDP is exposed to chemicals, smoke, volatile gas, or corrosive gas
 - Uneven and unstable flooring



3. Installation space

- ! To allow escape in the event of danger and enable access for maintenance, leave at least 500 mm open around the periphery of the SDP. Keep the floor free of obstacles and keep a path to the factory power supply switch clear.

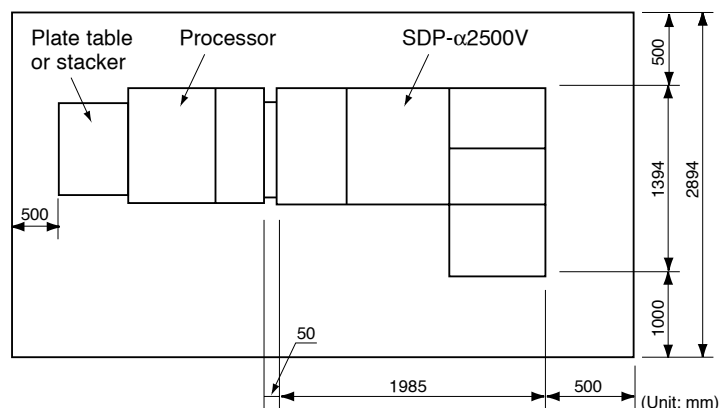


Fig. 2-1: Installation space

4. Floor strength

- ! The floor on which the SDP is installed should be strong enough to support at least 4900 N/m² (500 kgf/m²). The SDP should be positioned so that its legs rest on the structural frame of the building to prevent damage to the floor. However, the permissible floor load depends upon the floor's structure and strength; the installation position with regard to the beams; the presence or absence of other load weights; etc. Consult your architect.

5. Grounding connection

- ! To avoid electrical shock accidents from the AC power supply, make sure that the factory power supply has been properly grounded in accordance with operation site regulations beforehand. A separate ground wire should be connected for the SDP.
- ! To avoid accidents, turn off the SDP power supply switch and the factory power supply switch before connecting the 3-wire power supply cable of the SDP. Be sure to connect the ground line of the 3-wire power supply cable first.

To forestall other possible problems in the electrical system of the SDP, always use fuses and circuit breakers that match its specifications.

Please ask your electrical contractor or authorized personnel to help select appropriate parts and wiring configurations.

6. Power supply and power cables

- ❗ Please entrust all wiring, connections and other electrical work to an authorized electrician.
- ❗ Prepare a power supply that satisfies all the requirements described in “Chapter 9. Specifications”.
- ❗ The SDP requires a dedicated power supply that should not serve any other machines or devices.
- ❗ Always provide circuit breakers for the power supply switchboard.
- ❗ The permitted fluctuation range in the power supply voltage is $\pm 10\%$. If you anticipate a greater range of fluctuation than this, stabilize the power supply with an appropriate voltage regulator.
- ❗ Be sure to install the ground leakage breaker in the power supply switchboard.
- ❗ Use the ground leakage breaker for 5 mA leakage in accordance with the rated current of the SDP.
- ❗ Check that the ground leakage breaker turns ON before starting operations at the beginning of the week or after vacations.

A power cable is not provided with products. Please obtain a 1.25 to 5.5 mm² x 3-wire power supply cable (external dimension of cable: 6 to 12 mm) that complies with the standards of your country and is rated to withstand voltage of 300 V AC or higher.

CAUTION! A readily accessible factory power supply switch must be installed in the fixed building wiring before installing the SDP.

- ❗ Check that the ground leakage breaker turns ON before starting operations at the beginning of the week or after vacations.

A power cable is not provided with products. Please obtain a 1.25 to 5.5 mm² x 3-wire power supply cable (external dimension of cable: 6 to 12 mm) that complies with the standards of your country and is rated to withstand voltage of 300 V AC or higher.

CAUTION! A readily accessible factory power supply switch must be installed in the fixed building wiring before installing the SDP.

Chapter 3
Names of Primary Parts

1. Main unit

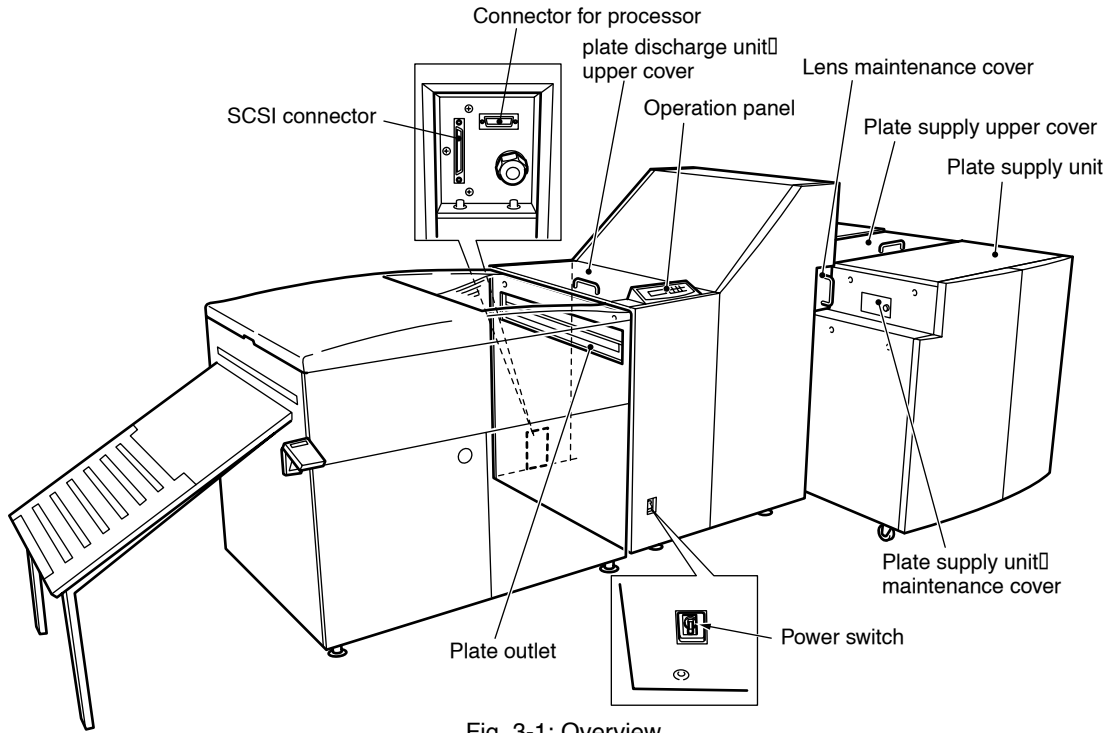


Fig. 3-1: Overview

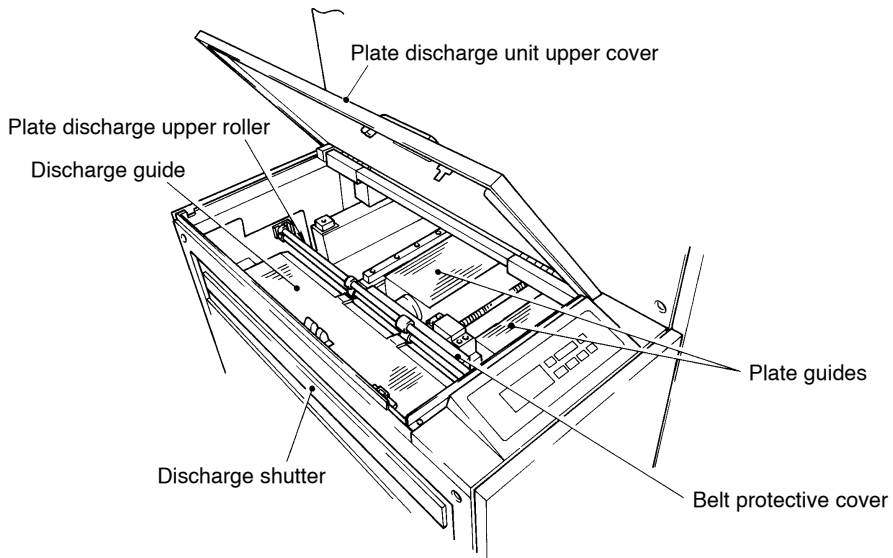


Fig. 3-2: Plate discharge unit

3

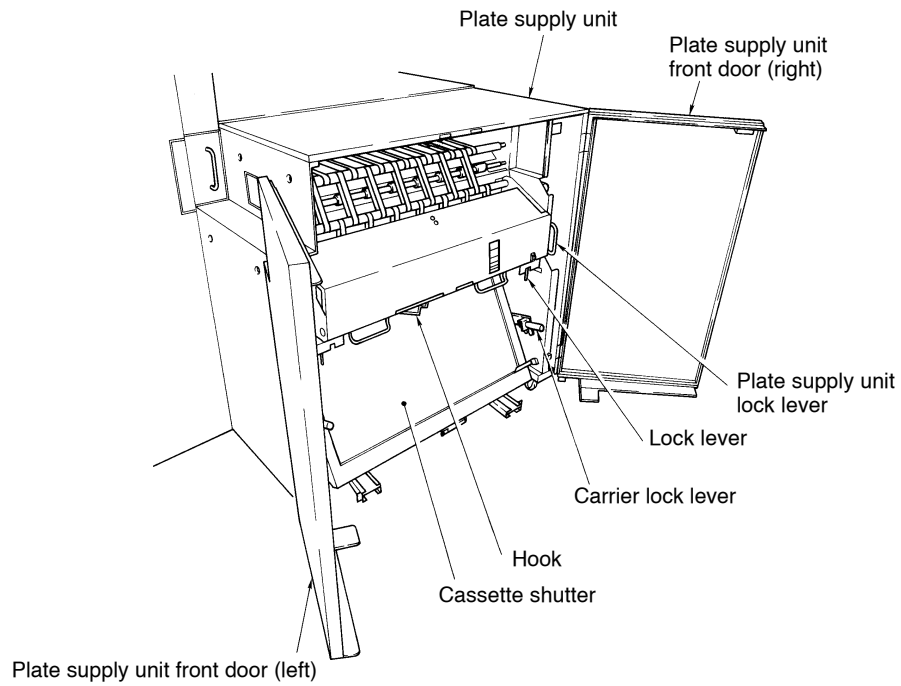


Fig. 3-3: Plate supply unit

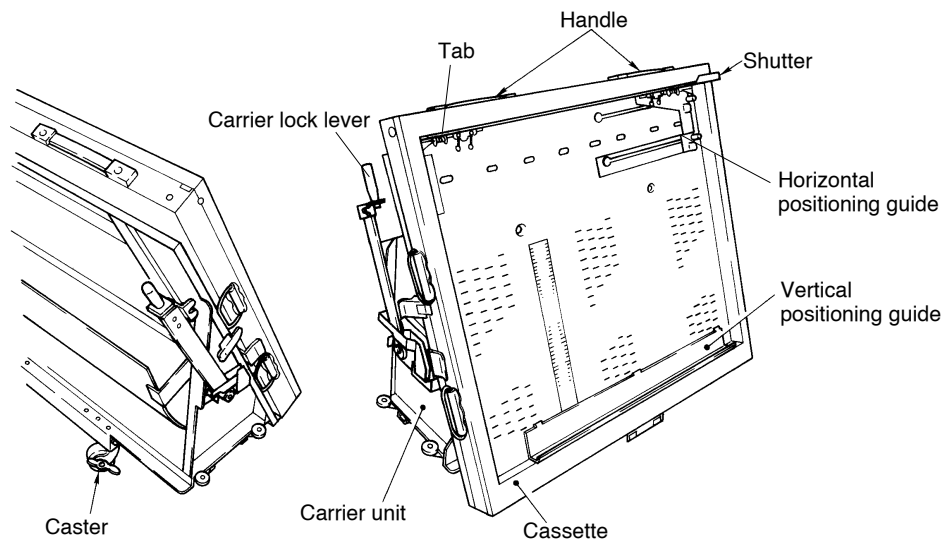


Fig. 3-4: Cassette and carrier section

3

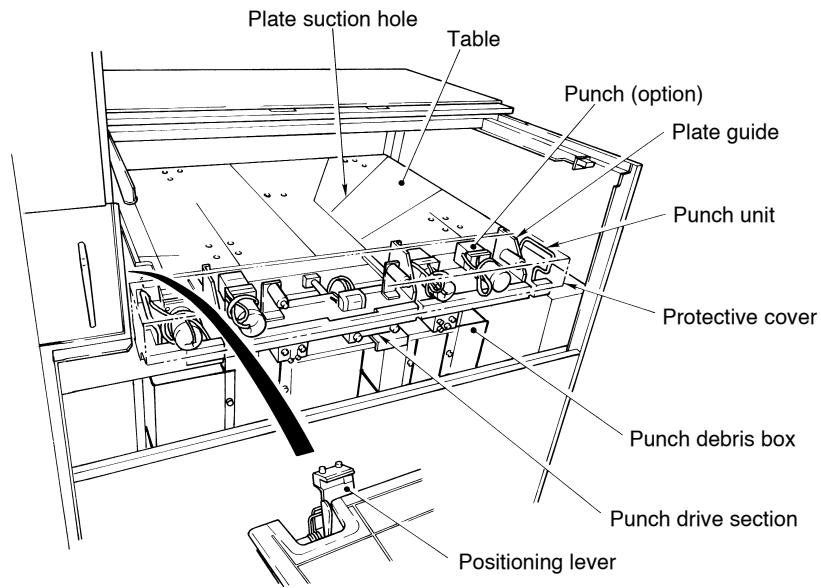


Fig. 3-5: Plate positioning section

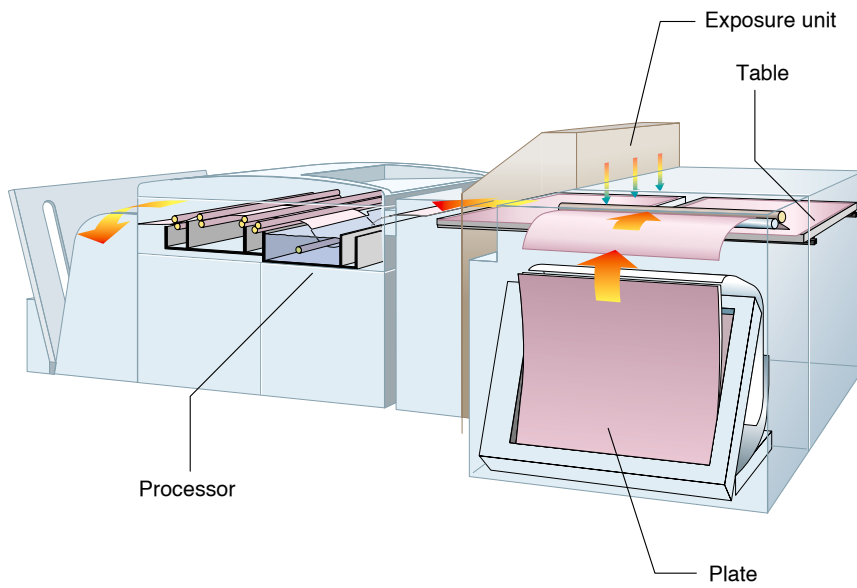
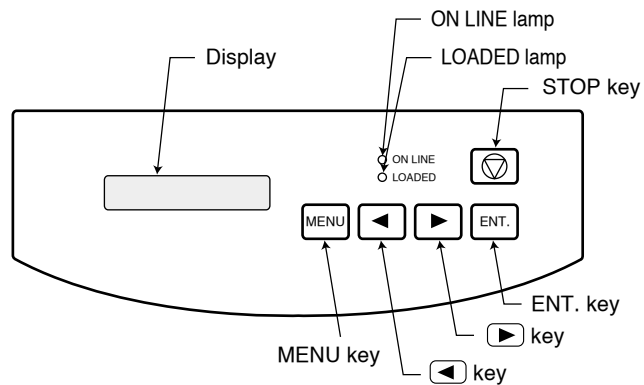


Fig. 3-6: Plate transport route

2. Operation panel



Display

Displays the operation status and error messages. During each parameter setup, the specified parameters appear here.

ON LINE lamp

Lights up during communication with the host computer or while communication is possible in the remote mode.

LOADED lamp

Lights up when a plate is in a position where it can be exposed.

STOP key

Used to stop plate exposure or transfer operations.

MENU key

Used to switch between the remote and local modes. This is also used to return to the previous display.

◀ and ▶ keys

Used to move the cursor in each mode, and to change the respective parameters.

ENT key

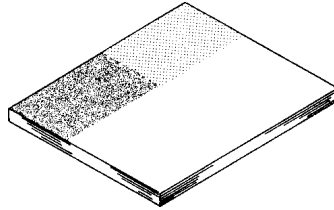
Used to set the respective parameters and to execute commands. This is also used to reset an error message.

3. Accessories

SDP is provided with the following accessories.

3.1 Standard accessories

- Users Manual



* The following optional accessories are available.

For detailed information and ordering, please contact our nearest branch office or dealer. (See list at the end of this manual.)

- Punch system
- Spare plate cassette (carrier integrated type)
- Expansion memory (for image buffer)

Chapter 4

Operation

All explanations in this chapter are made with English displays

As a basic rule, the SDP is usually used as one device incorporated in a SCSI system. Therefore, always pay attention to the timing when turning the power supply ON/OFF. (Refer to “3. Turning ON/OFF the power supply” in this chapter.)

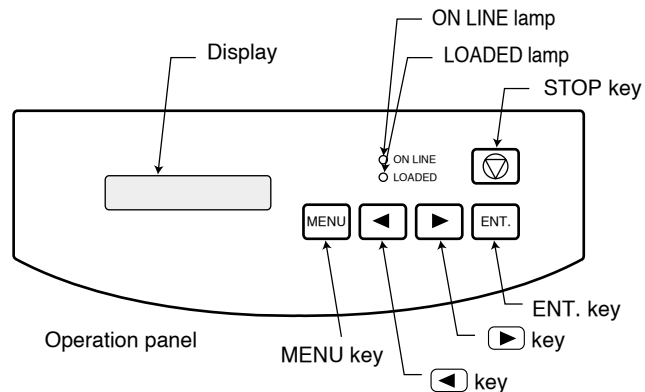
CAUTION! **Do not open doors and covers unless there is a special reason or emergency. Do not open the cover on the plate supply unit except to replace plates or correct a plate jam. Doing so can fog plates that are being exposed or are still in the cassette. Opening a door or cover while a plate is being transferred (i.e., when “Loading...”, “Recording”, or “Unloading...” is displayed on the panel) can cause problems in the image that is being exposed.**

1. Operation outline

This section presents an outline of the basic operations. For detailed operation methods, please refer to the individual corresponding sections.

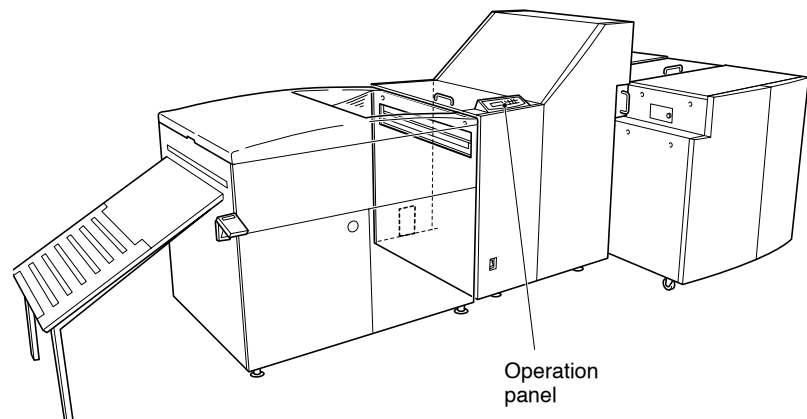
- 1) Turn ON the factory power supply switch after verifying that the power supplies to the SDP peripheral devices, SDP main unit, and host computer are all OFF.

Be sure to turn ON the power supply to the SDP peripheral devices first. While the power supply to the host computer is OFF, confirm that all the doors and covers are closed, and turn ON the SDP power supply switch (by throwing the power switch to the “I” side). Initialization of the SDP starts, and “Initializing” appears on the display. Then, after a few moments, “CHANGE CAS-COND” appears for the local mode.

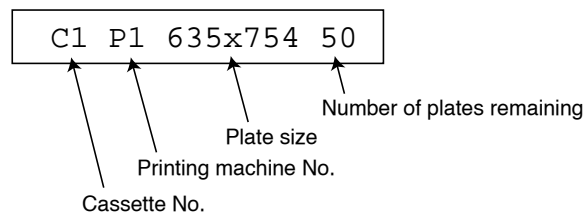


After the initialization of the SDP has been completed, turn ON the power supply to the host computer.

- 2) Set plates into the cassette. (Refer to “6.2 Setting the plates” in this chapter.)



- 3) After setting plates into the cassette, close the cassette shutter, and reattach the cassette carrier to the main unit. Then secure the lock levers of the cassette carrier to the fixing pins.
- 4) Reset the suction pad unit to its original position, lock it, and then close the front doors of the plate supply unit.
- 5) Using the ◀ and ▶ key, move the cursor to “CASSETTE” and input the plate information (refer to Chapter 5 “3. Setting the cassette information”). Then turn ON the host computer and press the (MENU) key. The ON LINE lamp lights up, the machine enters the remote mode, and then displays the cassette No., printing machine No., plate size, and number of plates remaining.



- 6) Execute output from the host computer.
- 7) The plate will be discharged to the processor and developed after exposure.

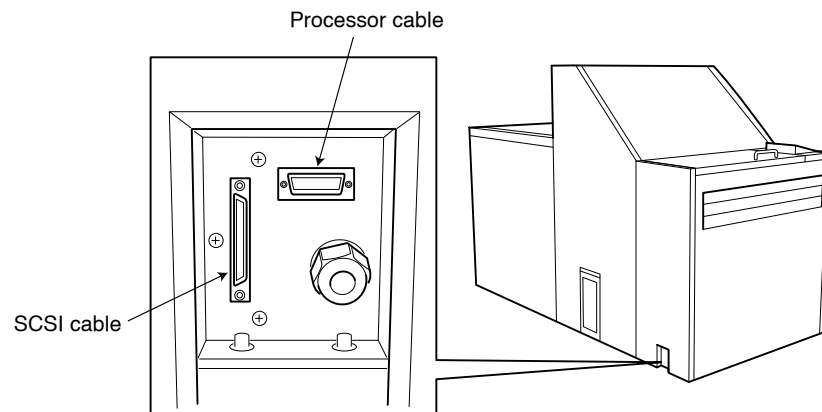
CAUTION! Do not press the (STOP) key while the SDP is in operation, except in emergencies.

- 8) Turn OFF the power switch to the host computer (then turn the power switch of the SDP toward “O”). Turn OFF the factory power supply switch after turning OFF the power supplies to the SDP peripheral devices.

2. Connecting cables

Check that the power supply for the entire system (including the host computer) is turned OFF, and that the cables are properly connected. The cables to be connected and their connection positions are shown in the figure below. Two types of cables should be connected: the SCSI cable and the processor cable (the power supply cable was connected during machine installation).

The SCSI cable connects the SDP and the host computer, and the processor cable connects the SDP and the processor (refer to the processor's Instruction Manual).



NOTE Differential-ended SCSI cable is provided with the machine. When you use single SCSI cable for connection, contact our nearest branch office or dealer.

3. Turning ON/OFF the power supply

3.1 Turning ON the power supply

- 1) Turn ON the factory power supply after verifying that the power supplies to the SDP peripheral devices, SDP main unit, and host computer are all OFF.
- 2) Be sure to turn ON the power supply to the SDP peripheral devices first.
- 3) While the power supply to the host computer is OFF, turn ON the power supply switch of the SDP (by throwing the power switch to the “I” side).


After a while, the display changes from “Initializing” to “CHANGE CAS-COND” in the local mode. (Refer to “5. Menus and panel displays” in this chapter.) If an error is detected during initialization immediately after the power is turned ON, an error appears on the display.

NOTE For error messages, refer to Chapter 7, iMessages.

- 4) Turn ON the power supply to the host computer.

3.2 Turning OFF the power supply

- 1) Turn OFF the power supply to the host computer.
- 2) Turn OFF the power supply to the SDP main unit by throwing the power supply switch to the “O” side.
- 3) Turn OFF the power supplies to the SDP peripheral devices.
- 4) Turn OFF the factory power supply switch.

CAUTION! Do not press the  key while the SDP is in operation, except in emergencies.

! WARNING

To avoid accidents, be sure to turn OFF the factory power supply switch after operation and during inspection work.

4. Date and time setting


If the date and time have not been set, the machine asks you to set the date and time on the operation panel as shown below.

Adjust DATE TIME

When this display appears, set the date and time following the steps below.

Date and time setting

CAUTION! The date and time must be set correctly. If an incorrect date or time is entered, the machine will be unable to memorize the correct information.

Pressing the  key shows the date/time setting display as below.

Enter the current date/time in the following order: year, month, date, hour, and minute. Hours should be entered in the 24-hour format (i.e., 3:00 PM → 15:00).

1998.01.01 00:00

5. Menus and panel displays

5.1 Functions of display

Type	Descriptions
Menu display*	Menus that represent the respective commands used for operations are displayed. Menus are positioned at the top tier in the menu command tree.
Command display*	The commands used for the entry of setting values and for performing the actual operations of the SDP are displayed. Beneath each menu exists one or more commands.
Status display	The operation status of the SDP or an operational request is displayed while the SDP is in operation.
Error display	When an error occurs with the SDP, the contents of the error are displayed.

* For the menu and command displays, refer to “5.4 Menus tier chart” in this chapter.

Display example

[Menu display]

CHANGE CAS-COND

[Command display]

UNLOAD LEXP

[Status display]

Initializing

[Error message display]

Plate jam A(1)

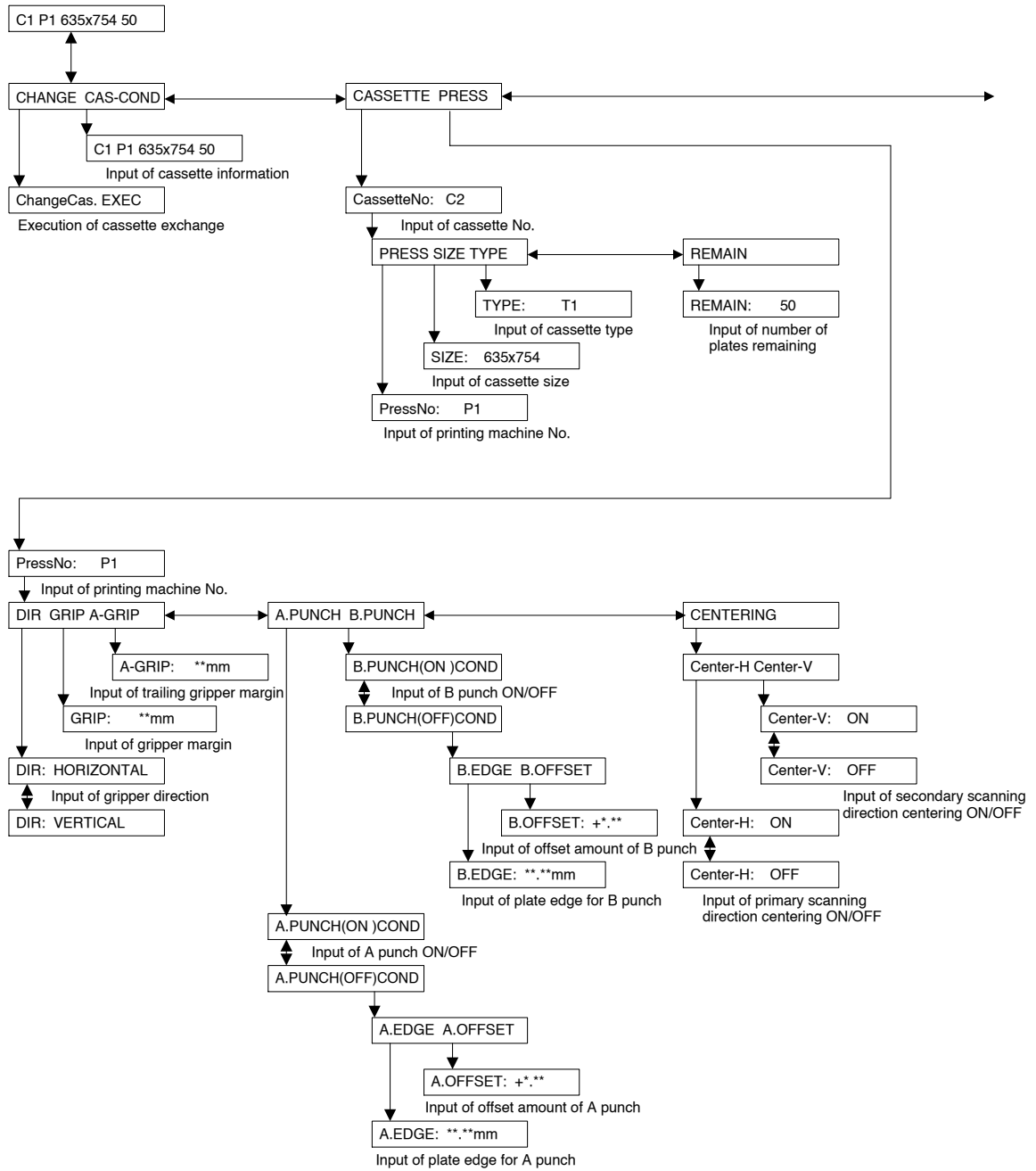
5.2 Functions of key area

Keys	Displayed screen	Functions
ENT. key	Remote mode	Invalid
	Local mode	Selects the lower level command if there is one. Activates the operation command. Shifts the digit to be entered and confirms the input when the selected command requires input of a numerical value.
	Status message	Invalid
	Error display	Cancels the error. (Some errors cannot be canceled.)
MENU key	Remote mode	Changes the operation mode to Local.
	Local mode	Selects the upper level command. If there is no upper level command, the operation mode is changed to Remote.
	Status message	Invalid
	Error display	Invalid
◀ ▶ keys	Remote mode	Invalid
	Local mode	Selects an adjacent command. Increases or decreases the value when the selected command requires input of a numerical value.
	Status message	Invalid
	Error display	Invalid
⏏ key	Remote mode	Invalid
	Local mode	Invalid
	Status message	Suspends or stops the operation. (Some operations cannot be suspended or stopped.)
	Error display	Invalid

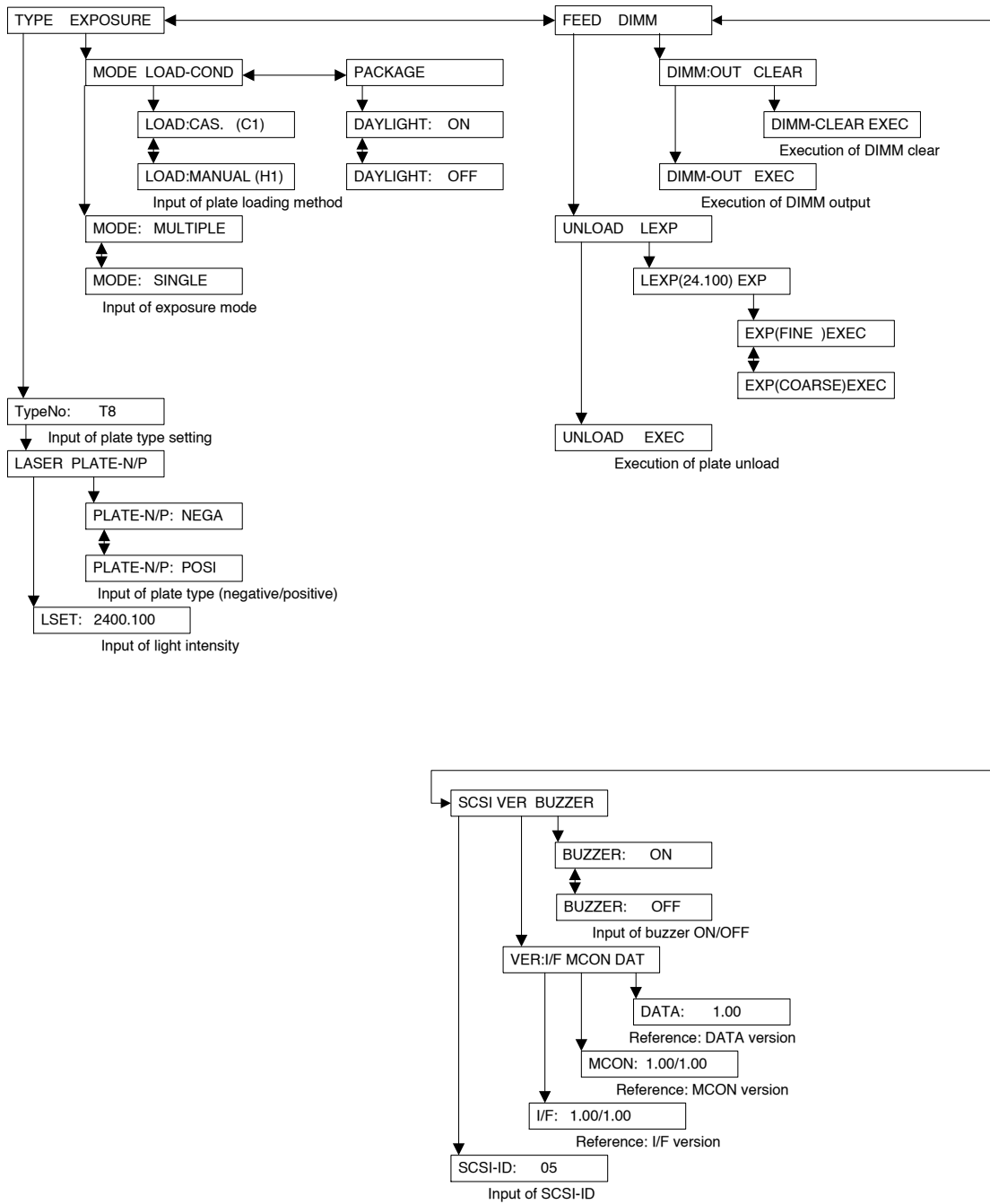
5.3 Functions of lamp area

Lamp name	SDP status
ON LINE lamp	Lights up when the SDP is in the remote mode (while it can be controlled from the host computer).
LOADED lamp	Lights up when plates are properly loaded on the internal table and exposure preparation is completed.

5.4 Menus tier chart



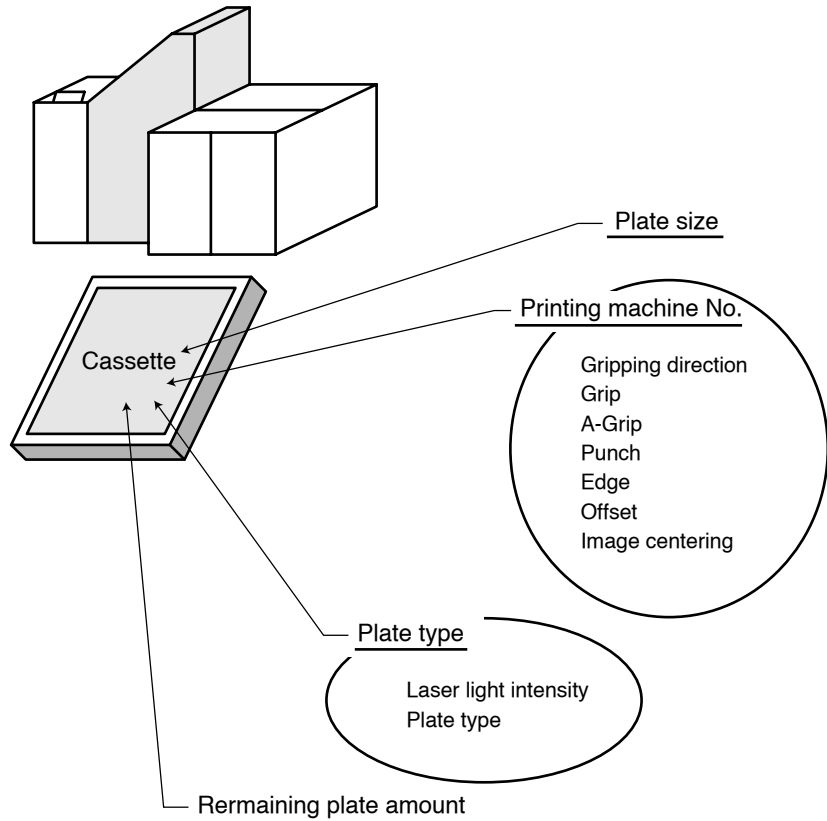
4



5.5 Overview of the various settings

The settings for the various operating panels are performed based on the information for the cassette that is mounted on the SDP main unit, as shown in the figure below.

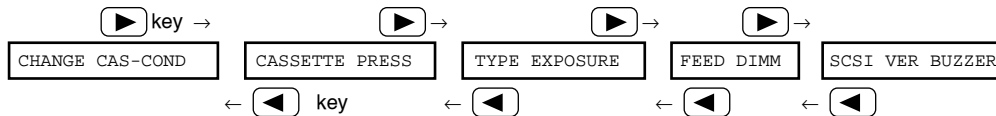
The SDP automatically recognizes the cassette that is currently mounted and performs operations referring to the various setup parameters.



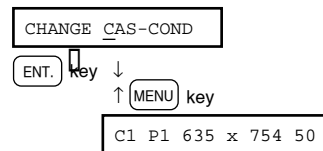
5.6 How to change the selected item

Use the cursor to select menus or commands, or to move between tiers (refer to “5.4 Menus tier chart”). The cursor refers to the bar (“_”) that appears at the lower part of the display. You can move it horizontally with the (◀) and (▶) keys, move it to a lower tier with the (ENT.) key, and move it to a higher tier with the (MENU) key.

Horizontal change



Vertical (tier) change



Operation example

After turning ON the power to the SDP and the initialization is completed, the following menu display appears.

CHANGE CAS-COND

At this time, pressing the (▶) key moves the cursor from “CHANGE” to “CAS-COND”. This cursor movement means that the selected item is now in the “CAS-COND” menu.

Pressing the (▶) key once moves the cursor to the right, and displays the “CASSETTE PRESS” menu instead of the “CHANGE CAS-COND”, as shown below.

CASSETTE PRESS

Thus, pressing the (▶) key moves the cursor to the right and the selected menu can be changed. Likewise, pressing the (◀) key moves the cursor to the left. If you select the “CAS-COND” menu with the (◀) or (▶) key and then press the (ENT.) key, the following command display appears.

C1 P1 635x754 50

You are now in the tier under the “CAS-COND” menu display. If you press the (MENU) key here, the “CHANGE CAS-COND” menu reappears. This means that you are now one tier above the previous tier.

The light intensity value should be specified with a three-digit number.

Therefore, after completing the entry for the hundred's place, move the cursor to the ten's place to enter a number with the ◀ and ▶ key. Then, enter a number for the one's place in the same manner, to complete the numerical parameter input for the exposure light intensity.

5.8 How to store setting values

The setting is saved when the (ENT.) key is pressed after entering a number for the one's place.

5.9 How to instruct the SDP for actual operations

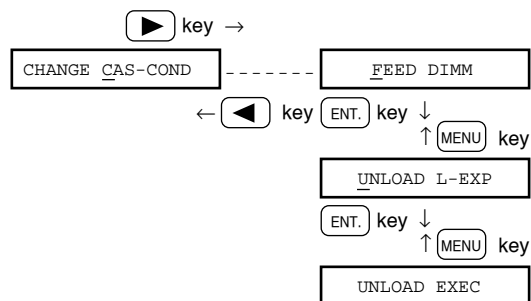
Among the menus and commands, there are some that effect directly actual operations of the SDP. For such a menu or command, "EXEC" appears in the command display. Pressing the (ENT.) key while putting the cursor at "EXEC" starts the actual operation of the SDP.

When the operation is completed, "Complete..." appears blinking indicating the completion of the operation.

Change of tier

Operational example

Change the menu tier to the "FEED" menu and then select the "UNLOAD" command so that the following command display appears.



UNLOAD EXEC

This command is used to unload the plate from the table.

If you press the (ENT.) key, the following display appears, and the actual transfer operation begins.

Unloading

Eventually, when the plate transfer is completed, "Complete..." appears blinking, and the operation is finished.

Complete

As noted above, a command displayed with "EXEC" involves execution of actual SDP operations, and by pressing the (ENT.) key while placing the cursor at "EXEC", the command can be executed.

5.10 Remote mode




Function of this mode


C1 P1 635x754 50


When the ON LINE lamp is lit and the display shown above appears, the SDP can receive image data from the host computer.

Explanation

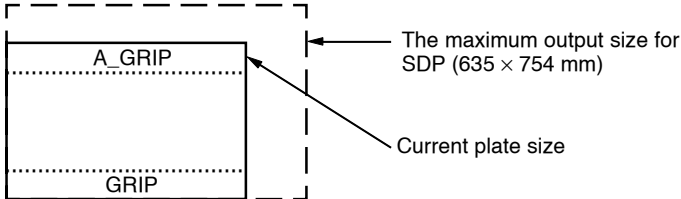
What is the remote mode?

- The remote mode is a mode used to receive an image from the host computer and expose it to the plate.
- In the remote mode, you cannot change the respective SDP settings from the operation panel. To change them, it is necessary to first change into the local mode using the  key.
- In the remote mode, the ON LINE lamp on the panel is lit, and operations with keys other than  and  will not be accepted.

: Use this key to go to the top menu of the local mode, while the PF-R is not in operation (exposure or plate transfer operation is not being performed).

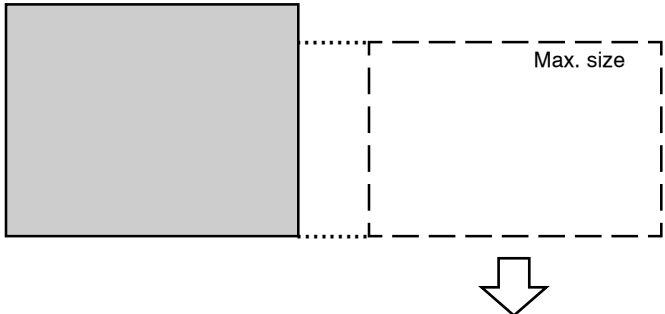
: Press this key to cancel the next operation when the PF-R is in operation. If this key is pressed, the PF-R stops after the current operation is completed without starting the next operation.

Precautions when outputting in the remote mode



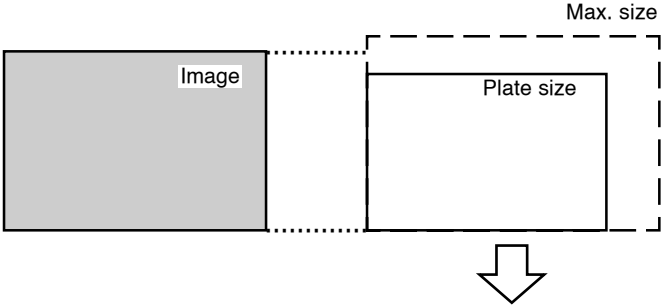
The output position may change or the outputting of an image may not be possible depending on the relation between the image size to be output and the settings for SDP. Therefore be careful of the size of the image then outputting.

■ **When the image size exceeds the permissible output size**



When the image size exceeds the maximum output size, output is not possible. When output is attempted, the “Parameter value invalid.” message appears on the host computer.

■ **When the image size is within permissible output size, but exceeds the plate size**

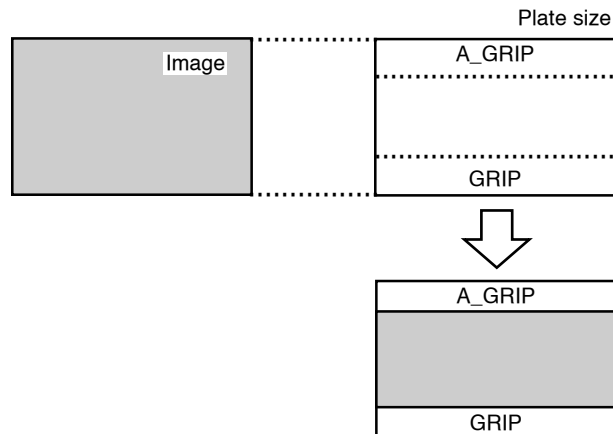


When the image size is within permissible output size, but exceeds the plate size, output is not possible. When output is attempted, the “Material width is too small.” or “Material length is too short.” message appears on the host computer.

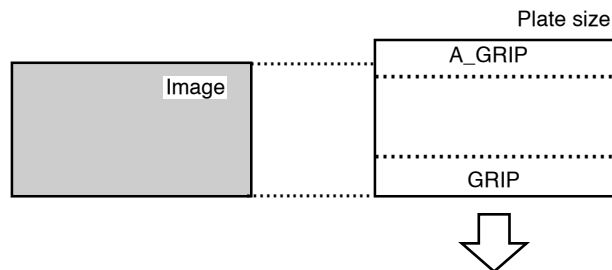
■ When the image size is approximately equal to the plate size

When the image size is approximately equal to the plate size, the gripper margin and the trailing gripper edge are judged to be included in the image, and the image data is exposed with the portions set for the gripper margin and trailing gripper edge (refer to Chapter 5 “5. Setting the printing machine information”) deleted.

“Approximately equal to the plate size” indicates that the image size is within ± 1 mm with respect to the plate size [i.e., $(\text{Plate size} - 1 \text{ mm}) \leq (\text{Image size}) \leq (\text{Plate size} + 1 \text{ mm})$]. If the image size is larger than the plate size even by a small amount, the image cannot be output.



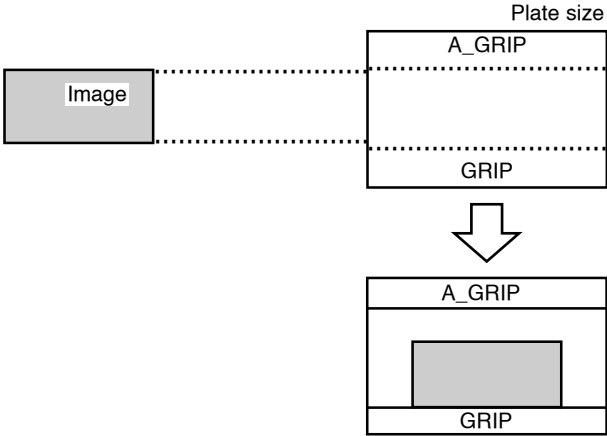
■ When the image size is larger than the difference of the plate size and the sum of the gripper margin and trailing gripper edge



When the image size is larger than the difference of the plate size and the sum of the gripper margin and trailing gripper edge (refer to Chapter 5 “5. Setting the printing machine information”), output is not possible. When output is attempted, the “Parameter error. Image data size doesn’t conform to press data.” message appears on the host computer.

■ **When the image size is smaller than the difference of the plate size and the sum of the gripper margin and trailing gripper edge**

When the image size is smaller than the difference of the plate size and the sum of the gripper margin and trailing gripper edge (refer to Chapter 5 “4. Setting the printing machine information”), the SDP judges that the gripper margin and the trailing gripper edge are not included in the image, and it then exposes the image as shown below by adding the gripper margin and the trailing gripper edge automatically.

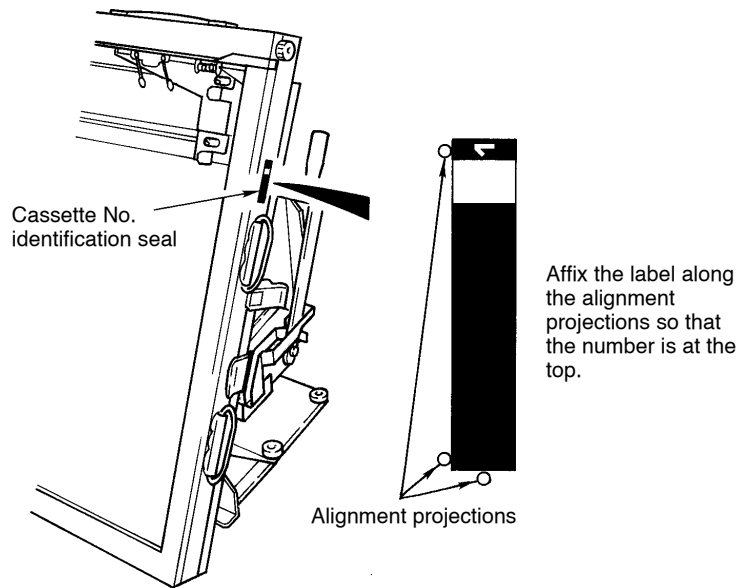


The image centering function in Chapter 5 “4. Setting the printing machine information” is activated for the output position of the image (refer to the Chapter 5 “4.6 Image centering”).

6. Exchanging the cassette

6.1 Cassette No. identification label

Before setting a cassette in the SDP, affix an identification label (standard accessory) to the cassette that specifies its cassette number. If a cassette is mounted without this label, the “Set Plate Cassette” message appears on the display, and the SDP will not operate. The cassette No. identification seal should be affixed to its specified area on the side of the cassette as shown in the figure below.



NOTE For more information on the cassette No. identification label, refer to 5.5 Overview of the various settings in this chapter.

6.2 Setting the plates

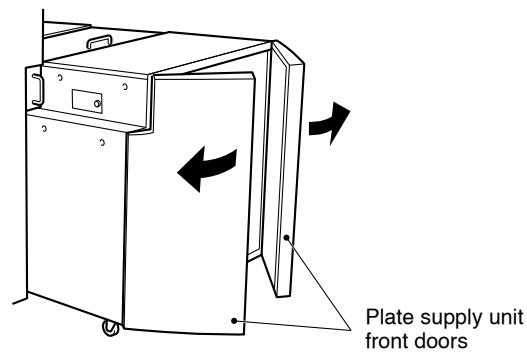
Set the plates into the cassette by following the procedure below.

CAUTION! Be sure to perform steps 1 and 2 below whenever plates are set in the cassette. If this operation is not performed, plates placed on the table or in the cassette may become exposed.

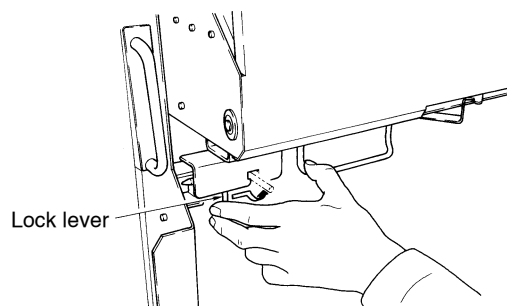
CAUTION

To prevent back pain, be careful not to handle the cassette carrier while in an incorrect or unnatural posture (i.e., with the trunk of your body bent).

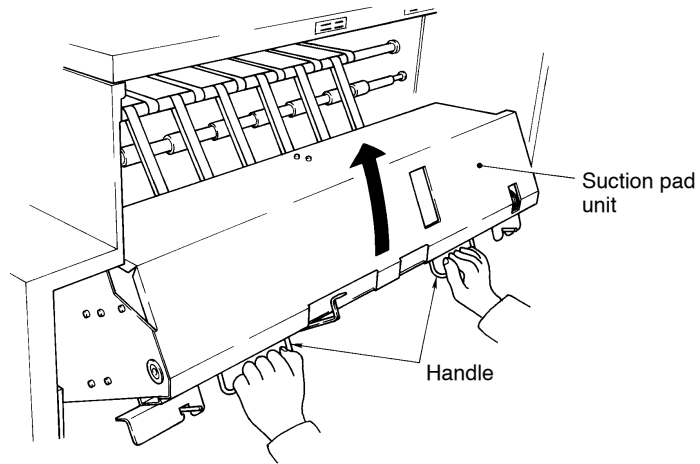
- 1) At the “CHANGE CAS-COND” screen of the local mode, press the **ENT.** key. The “CHANGE Cas. EXEC” screen appears.
- 2) Press the **ENT.** key. The “CHANGE CASSETTE!” screen appears.
- 3) Open the front doors of the plate supply unit.



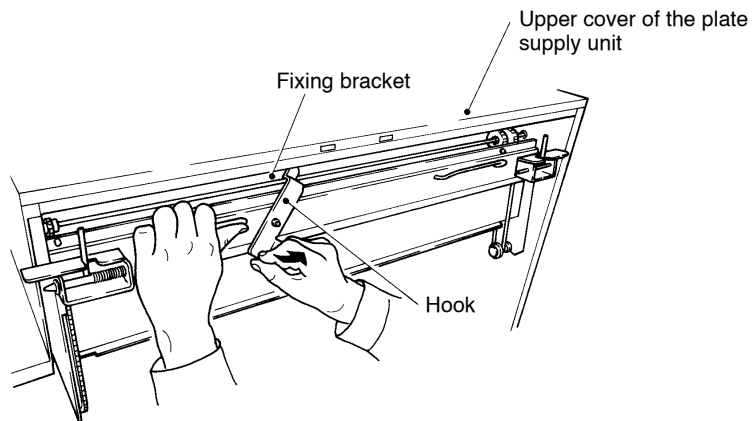
- 4) Using the lock levers release the locks on both sides of the suction pad unit.



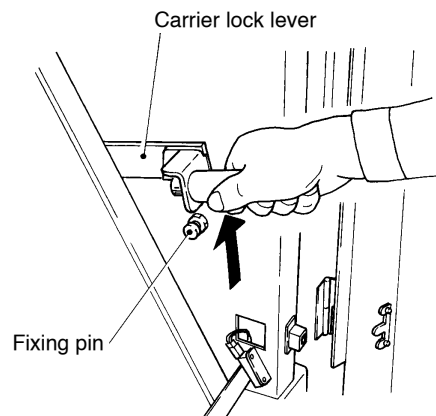
- 5) Lift the suction pad unit by the handle.



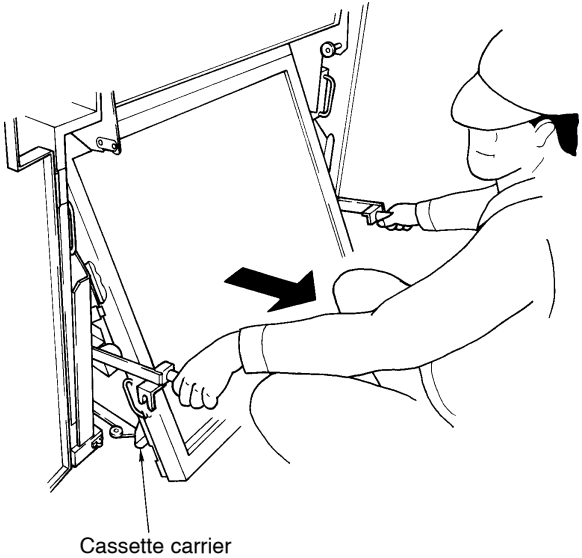
- 6) Secure the hook to the fixing bracket. (The fixing brackets are found under the upper cover of the plate supply unit.)



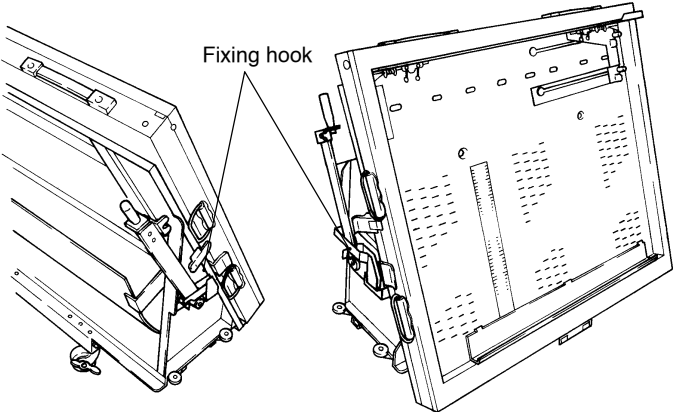
- 7) Lift the lock levers on the both sides of the cassette carrier to remove them from their fixing pins.



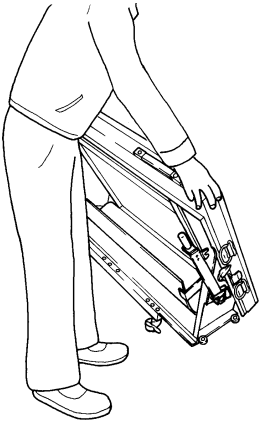
8) Remove the cassette carrier from the main unit.



9) When moving the cassette carries, verify that the cassette is secured to the cassette carrier with the fixing hook.



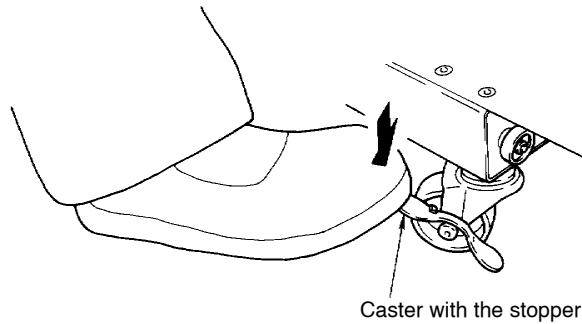
Once this is verified, hold the cassette carrier as shown in the figure below, and carry to the location where the plates will be set (when setting plates for the yellow room set, carry the cassette carrier to a yellow room).



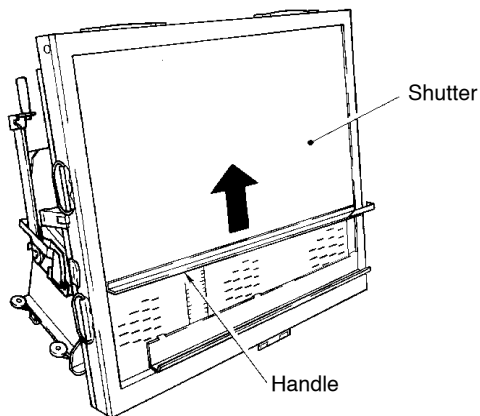
! WARNING

Do not, under any circumstance, release the fixing hook. If the cassette is not secured by the fixing hook against the cassette carrier, the cassette may fall down and cause an accident resulting in serious injury.

10) Secure the cassette carrier caster with the stopper.



11) Hold the handle at both edges and lift up the shutter.



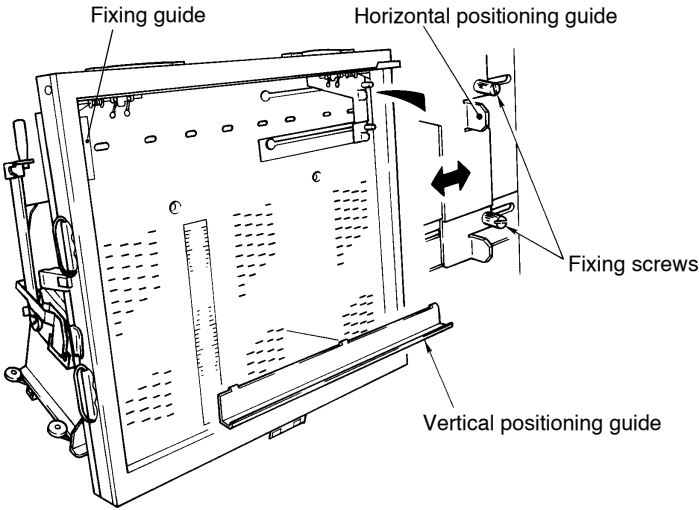
When using plates for the yellow room set

12) Set the fixing guide on the left of the cassette to the “Yellow room” side.



13) Set the height of the vertical positioning guide in the cassette to the scale based on the plate size.

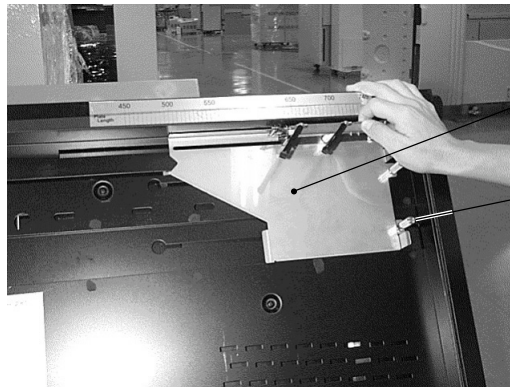
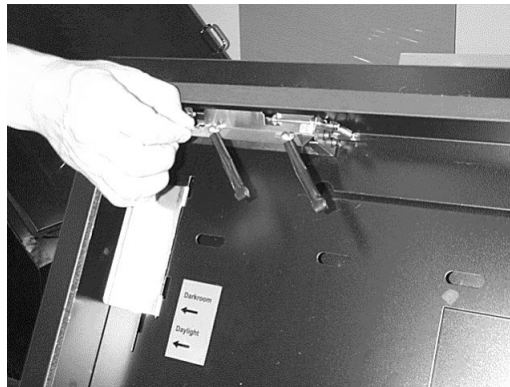
Loosen the fixing screws of the horizontal positioning guide and slide it to the right end.



Set the vertical positioning guide for the plate size that you will be using. (For example, for a vertical length of 620 mm, align the area of “0” black band on seal attached to the vertical positioning guide with the vertical dimensions on the seal attached to the left.)



- 14) Holding the portion of the retainer shown below, raise the left-to-right tab and retainer spring.



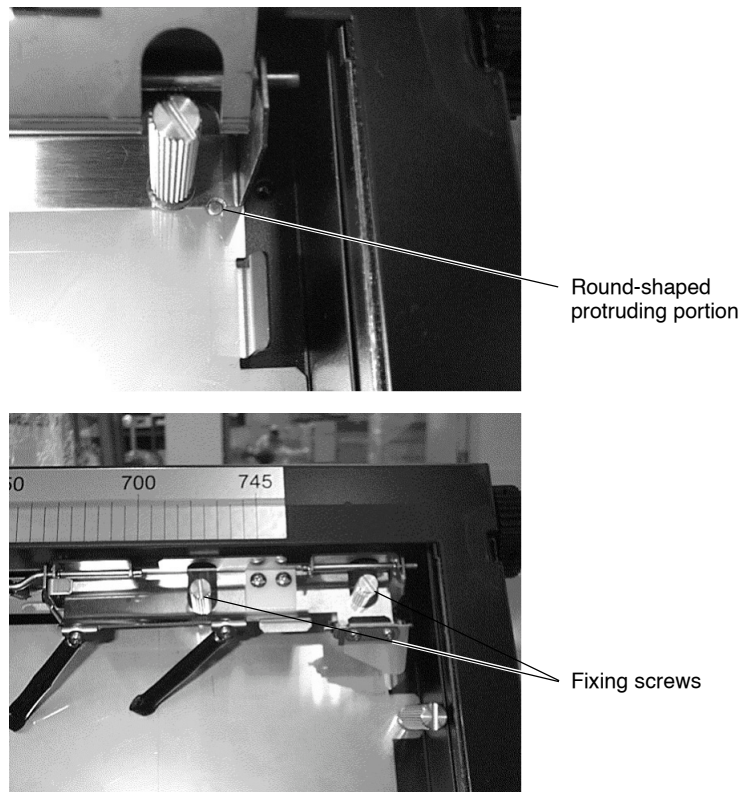
Vertical positioning guide

Fixing screw

CAUTION!

Be careful not to bend the tab or the retainer spring. If they become bent, malfunctions may occur during the conveyance of the plate.

Verify that the tab and retainer spring on the right side are aligned with the round-shaped protruding portion. If they are not aligned, loosen the fixing screw and properly align them.

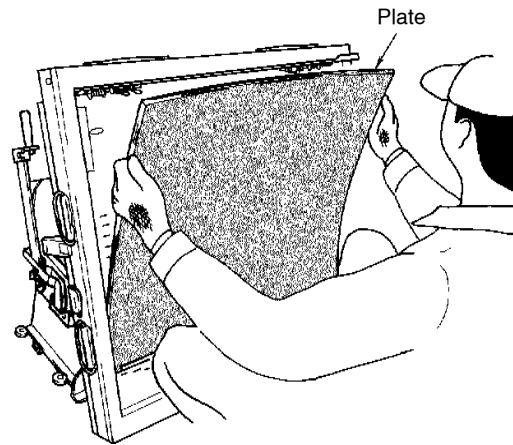


Steps 15 through 18 must be conducted in a darkroom using a safelight.

⚠ CAUTION

- ï **Wear non-slip protective gloves when setting plates to prevent your hands and fingers from being cut.**
- ï **Be sure to perform plate setting with a partner to prevent back pain.**
Be careful not to perform plate setting while in an incorrect or unnatural posture (i.e., with the trunk of your body bent).

- 15) Set the plates into the cassette.

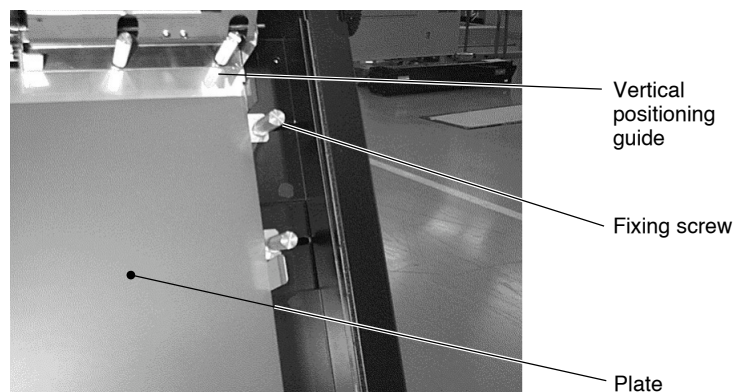


- CAUTION!** i **When setting plates into a cassette, be careful not to fold or bend their edges. Folding or bending plate edges can cause a plate jam.**
- ii **Only the same sized plates can be set together in a cassette. You can load up to 50 plates at one time.**

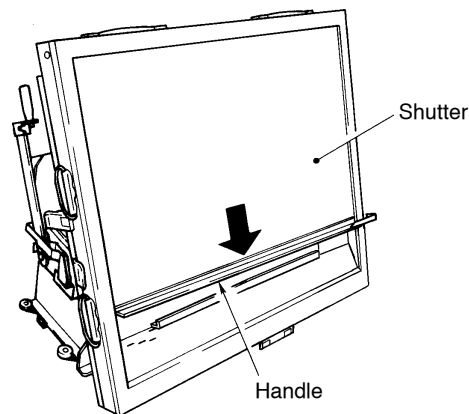
- 16) Push the left edge of the plate up against the fixing guide on the left side of the cassette. Then, slide the vertical positioning guide toward the left until it hits the right side of the package and tighten the guide with its fixing screw.
- 17) Return the left and right tabs and retainer spring to back to their original positions.

- CAUTION!** **Make sure that the left and right tabs and retainer spring are securely fixed into place.**

- 18) Set the plates loaded into the cassette and close the shutter holding it by the handle on both sides.

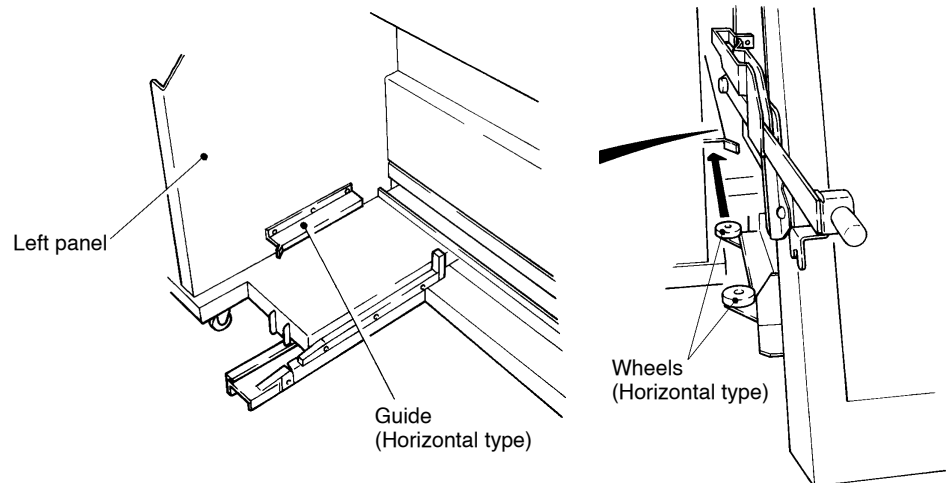


- 19) Release the locking caster for the cassette carriers and mount the cassette carrier in the SDP. Insert the cassette carrier along the guide attached to the left panel. (The wheels of the cassette carrier will be inserted into the guide.)
- 20) Set the suction pad unit following steps 7 through 4.




21) Close the plate supply unit front doors.

CAUTION! Make sure that the plate supply unit front doors are properly shut.



22) Then put the cursor on “ENT” and enter the cassette information. (For details on setting parameters, refer to Chapter 5 “3. Setting the cassette information.”)

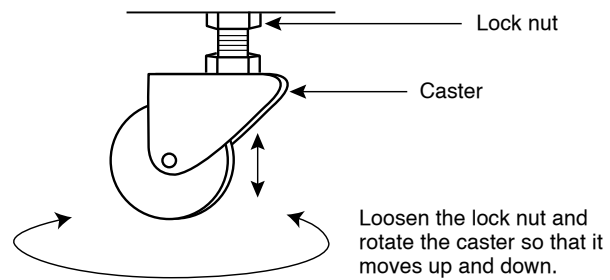
NOTE When replacing the cassette without using *iCHANGE* of the local mode, the *iCHANGE CAS-COND* screen appears when the plate supply unit front doors are closed. If this screen does appear, press the  key to display the *iCASSETTE PRESS* screen, move the cursor to *iCASSETTE*, and enter the plate information.

CAUTION! Be careful if the ambient environment (temperature and humidity) differs in the areas where the plates are stored and used. If plates are shifted from a cold to a warm place, moisture may condense on their surfaces. Therefore, always let plates sit in a new environment for approximately two hours before using so they can adjust to the ambient conditions. If you try to use plates that are damp with condensation, it may cause a plate jam and damage the plate.

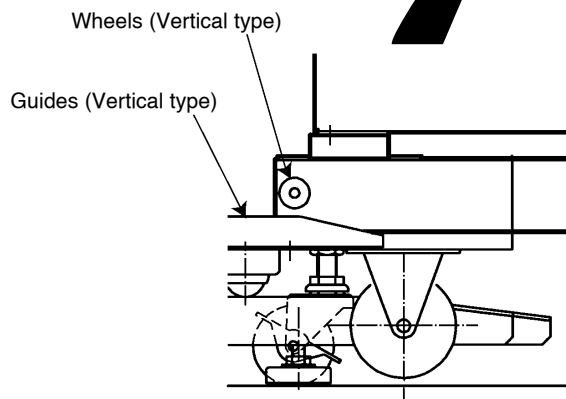
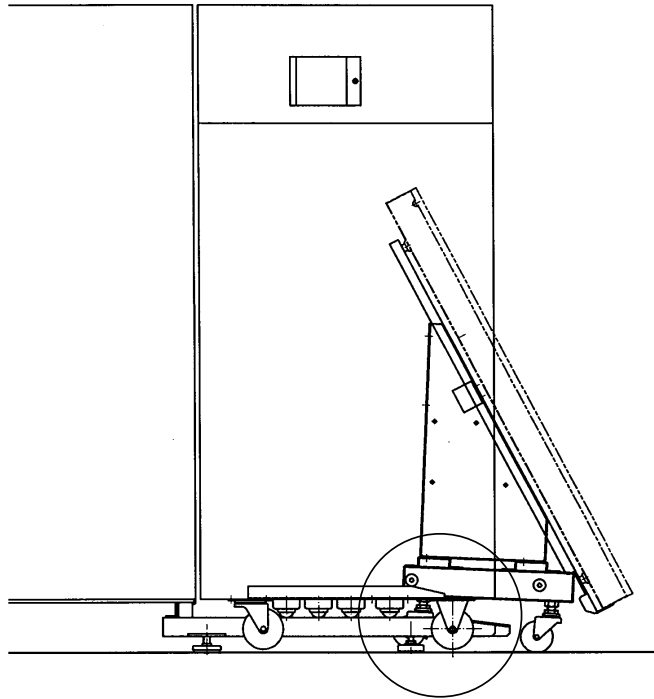
6.3 Height adjustment for the cassette carrier caster

When attaching the cassette carrier to the plate supply unit, adjust the height of its casters as necessary. Pay attention to the following points when performing height adjustment.

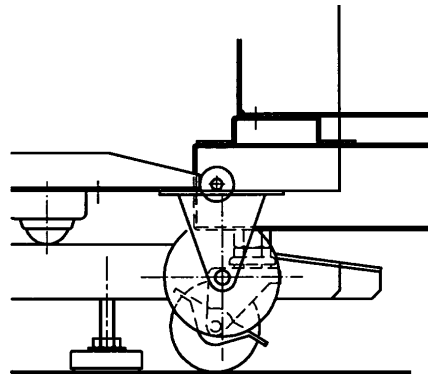
CAUTION! Secure the lock nut after completing height adjustment.



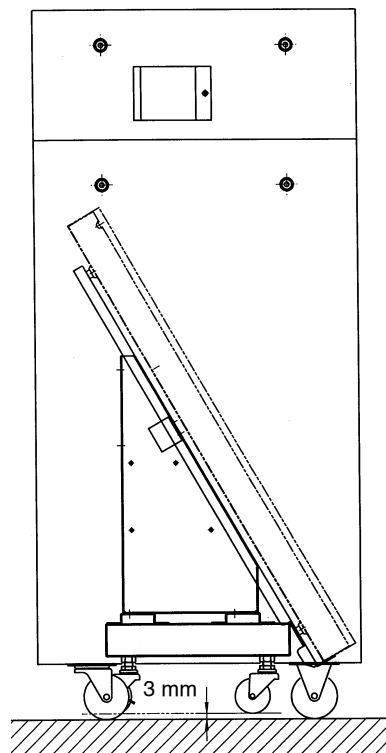
- Check and be aware of the positional relationship between the vertical type guide and wheel. When the plate supply unit is connected to the main unit, if the caster is set too high, the cassette carrier's wheel is too far from the guide (as shown in the figure on the next page).



- On the other hand, if the caster is set too low, the wheel will hit the guide or it cannot be set as shown in the figure below.



- As shown in the figure below, the cassette carrier's caster should be raised approximately 3 mm from the floor when the plate supply unit is not connected to the main unit.



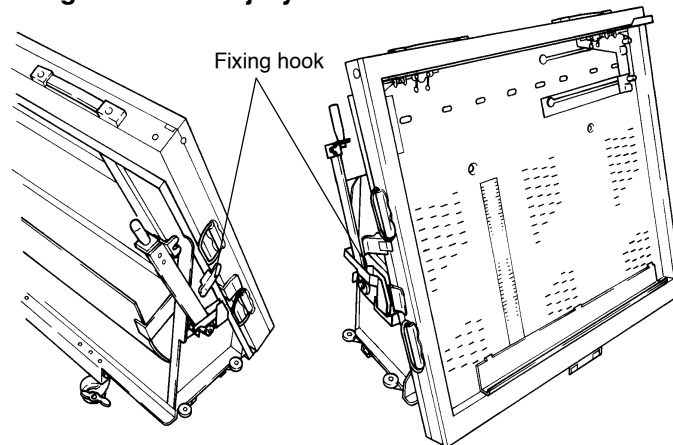
4

6.4 Handling the cassette and cassette carrier

When handling the cassette and cassette carrier, verify that the cassette is secured to the cassette carrier with the fixing hook.

! WARNING

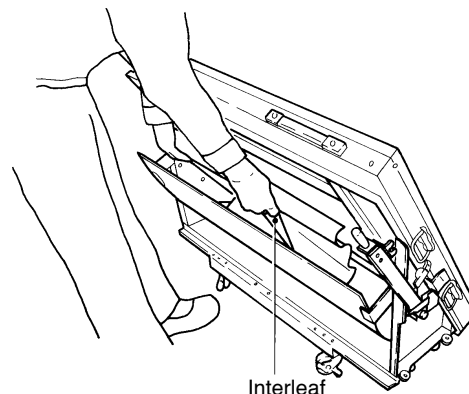
Do not, under any circumstance, release the fixing hook. If the cassette is not secured by the fixing hook against the cassette carrier, the cassette may fall down and cause an accident resulting in serious injury.



7. Removing interleaf

When removing the cassette carrier from the SDP, remove the interleaf that collects in the SDP following the procedure noted below.

- 1) Remove the cassette carrier from the SDP. (Refer to steps 3 through 8 of “6.2 Setting the plates” in this chapter.)
- 2) Remove the interleaf from the interleaf collection box on the rear side of the cassette carrier.



- 3) Remount the cassette carrier in the SDP, and securely close the front doors of the plate supply unit. (Refer to steps 18 through 22 of “6.2 Setting the plates” in this chapter.)

CAUTION!

If the interleaf box becomes full, it may cause an interleaf jam.

8. DIMM

SDP is equipped with two internal DIMMs so it can execute exposure even when the data transmission speed from the host is slower than the exposure speed. Image data is only exposed after it is transmitted to the DIMM(s).

■ Exposure operation

SDP starts an exposure operation after all the data for one image has been transmitted to one hard disk. If the other hard disk is empty, data for the next image can be transmitted to it during an exposure operation.

■ When exposure is stopped or an error occurs

When an exposure operation is stopped or an error (other than a disk error) occurs during an exposure operation, the image data is stored as unexposed data. The image data can be re-exposed with the DIMM-OUT command after the error has been corrected.

(However, this image data cannot be re-exposed if you have turned OFF the power supply once in the meantime)

Chapter 5

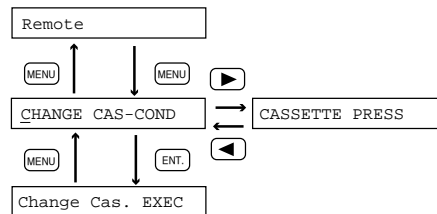
User Menu

All explanations in this chapter are made with English displays

1. Replacing the cassette

Use this menu to prepare the SDP for cassette replacement when changing the cassette that is currently mounted to the SDP or adding an additional plate.

Position and configuration



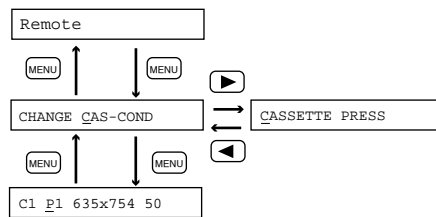
- 1) At the **CHANGE CAS-COND** screen, press the **ENT.** key. The **Change Cas. EXEC** screen appears.
- 2) Press the **ENT.** key. The SDP automatically judges whether cassette replacement is possible or not. If it is, the following message appears.
“CHANGE CASSETTE!”
- 3) After “CHANGE CASSETTE!” appears, open the plate supply unit front doors, and replace the cassette. In this situation. (Refer to Chapter 4 “6. Exchanging the cassette.”)
- 4) When you close the plate supply unit front doors after replacing the cassette, the SDP automatically recognizes the newly mounted cassette No., and the “CASSETTE No.C*” screen appears. Check the screen and change if necessary.

2. Setting the selected cassette information

This menu is for setting new information regarding the cassette that is currently selected or for changing the existing information. The settings available are plate size, printing machine No., and number of plates remaining.

Position and configuration

CAUTION! When a cassette is selected in order to supply plates, the SDP- α 2500V automatically recognizes and displays the number of the cassette currently mounted.



2.1 Registering the printing machine No.

Register the printing machine No. for referencing the data such as the gripper margin and punch system to be used for image exposure that were set beforehand by the procedures described in “4. Setting the printing machine information” for the corresponding printing machine.

The SDP reads the printing machine No. set for the loaded cassette, and determines the respective positions for plate setting, image exposure, and punching.

CAUTION! If the set number does not match the number of the actual printing machine with which output is performed, the images will not output in the correct position and punch holes will not be created in the correct positions.

- 1) In the “C1 P1 635x54 50” screen, select the printing machine number from among P1 to P8 using the ◀ or ▶ key.
- 2) Press the **ENT.** key.

NOTE The items given below are logged together with the printing machine No.. Therefore, be aware that if the printing machine No. is changed, the values for the items given below may also change.

- ï Gripper direction
 - ï Gripper margin
 - ï Trailing gripper edge margin
 - ï Punch system
 - ï Image centering
- (Refer to ì4. Setting the printing machine informationî)

2.2 Setting the plate size

Set the size of the plates set in the cassette. The SDP determines the exposure position of the output image and the punch hole position based on the size of the plate that is set.

CAUTION! If these settings do not match the size of the plate actually set in the cassette, the image output and punch holes cannot be positioned correctly.

- 1) In the “C1 P1 635x754 50” screen, set the plate size in the primary scanning direction using the ◀ or ▶ key.

Press the **ENT.** key.

- 2) In the “C1 P1 635x754 50” screen, set the plate size in the secondary scanning direction using the ◀ or ▶ key.

Press the **ENT.** key.

The sizes must be within the ranges given below.

The plate size that can be set varies depending on the gripping direction.

When HORIZONTAL is selected: Maximum size: 635x754mm, minimum size: 280x450mm

When VERTICAL is selected: Minimum size: 575x754mm, minimum size: 280x450mm

CAUTION! The SDP determines the positions for image exposure and punching based on the size of the plate in the cassette. If you enter the plate size incorrectly and perform exposure, the image exposure and punching may not be performed in the correct position.

2.3 Inputting the remaining number of plates

Specifies and displays the number of remaining plate in the cassette. The SDP reduces this amount by one every time a plate is discharged from the cassette. Use this menu to check the remaining plate amount.

If plates are newly loaded into the cassette, check the number of plates and enter it as necessary.

NOTE The SDP does not have the function to check the number of plates. Therefore, sometimes the correct number of plates may not be displayed. In addition, if a plate exists in the cassette, even when the displayed remaining plate amount is 0, no error will occur.

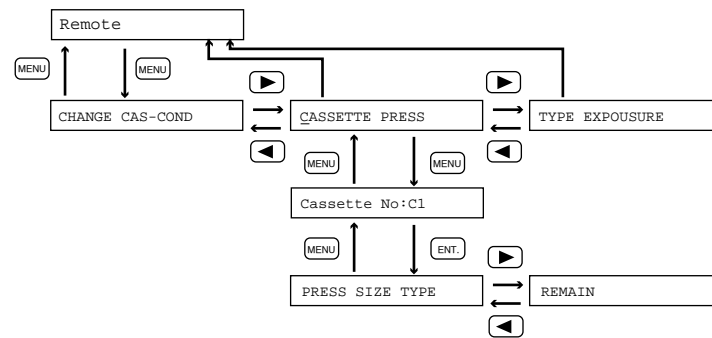
- 1) In the “C1 P1 635X754 50” screen, set the number of plates remaining using the ◀ or ▶ key.
- 2) Press the **ENT.** key.

NOTE Although you can enter up to 999 for the remaining number of plates, the actual number of plates that can be put in the cassette is only 50.

3. Setting the cassette information

This menu is for setting new cassette information or for changing the existing information. The settings available are plate size, plate type No., printing machine No., and number of plates remaining.

Position and configuration



3.1 Selecting the cassette No.

Select the number of the cassette to set or modified.

- 1) At the “CASSETTE PRESS” screen, press the **ENT.** key. The “Cassette No:C1” screen appears.

Currently selected cassette number

- 2) Select the cassette number to be set or changed using the **◀** or **▶** key.
- 3) Press the **ENT.** key. The “PRESS SIZE TYPE” screen appears.

3.2 Registering the printing machine No.

Register the printing machine No. for referencing the data such as the gripper margin and punch system to be used for image exposure that were set beforehand by the procedures described in “4. Setting the printing machine information” for the corresponding printing machine.

The SDP reads the printing machine No. set for the loaded cassette, and determines the respective positions for plate setting, image exposure, and punching.

CAUTION!

If the set number does not match the number of the actual printing machine with which output is performed, the images will not output in the correct position and punch holes will not be created in the correct positions.

- 1) When the “PRESS SIZE TYPE” screen is displayed, press the **ENT.** key. The “Press No: P1” screen appears.

Printing machine No.

- 2) Select the printing machine number to be set or changed from among P1 to P8 using the ◀ or ▶ key.
- 3) Press the ENT. key.

NOTE The items given below are logged together with the printing machine No.. Therefore, be aware that if the printing machine No. is changed, the values for the items given below may also change.

- ī Gripper direction
 - ī Gripper margin
 - ī Trailing gripper edge margin
 - ī Punch system
 - ī Image centering
- (Refer to 4. Setting the printing machine information)

3.3 Setting the plate size

Set the size of the plates set in the cassette. The SDP determines the exposure position of the output image and the punch hole position based on the size of the plate that is set.

CAUTION! **If these settings do not match the size of the plate actually set in the cassette, the image output and punch holes cannot be positioned correctly.**

- 1) When the “PRESS SIZE TYPE” screen is displayed, press the ENT. key. The “SIZE: 635 x 754” screen appears.

- 2) Set the plate size in the primary scanning direction using the ◀ or ▶ key. Press the ENT. key.
- 3) Set the plate size in the secondary scanning direction using the ◀ or ▶ key. Press the ENT. key.

The sizes must be within the ranges given below.

The plate size that can be set varies depending on the gripping direction.

When HORIZONTAL is selected: Maximum size: 635x754mm,
minimum size: 280x450mm

When VERTICALAL is selected: Minimum size: 575x754mm,
minimum size: 280x450mm

NOTE Set the plate size so that it is equal to that of the printing machine plate size.

CAUTION! **The SDP determines the positions for image exposure and punching based on the size of the plate in the cassette. If you enter the plate size incorrectly and perform exposure, the image exposure and punching may not be performed in the correct position.**

3.4 Registering the plate type No.

Register the number for referencing the data for the plate to be used for image exposure. The SDP reads the plate type number set in the specified cassette number and judges the exposure light intensity value and plate type (negative/positive).

CAUTION! If the set number does not match the plate type number actually set in the cassette, proper light intensity during image output will not be obtained and thus incorrect exposure may result.

- 1) When the “PRESS SIZE TYPE” screen is displayed, press the **ENT.** key. The “Type No: T1” screen appears.
- 2) Select the plate type number to be set or changed from among T1 to T8 using the **◀** or **▶** key.
- 3) Press the **ENT.** key.

The items given below are linked with the plate No. Therefore, be aware that if the plate No. is changed, the values for the items given below may also change.

- Negative plate/positive plate
- Light intensity (refer to “5.1 Setting the light intensity”)

NOTE Usually, the same values for the above two items would be set for the same type (model number) of plate. It is therefore recommended that you use the same plate type No. for such plates. Doing so allows you to set the above three items for all the plates of the same number at one time. Regardless of the size of the plate, it is recommended to give plates of the same kind the same plate No.

3.5 Inputting the remaining number of plates

Specifies and displays the number of remaining plate in the cassette. The SDP reduces this amount by one every time a plate is discharged from the cassette. Use this menu to check the remaining plate amount.

If plates are newly loaded into the cassette, check the number of plates and enter it as necessary.

NOTE The SDP does not have the function to check the number of plates. Therefore, sometimes the correct number of plates may not be displayed. In addition, if a plate exists in the cassette, even when the displayed remaining plate amount is 0, no error will occur.

- 1) When the “REMAIN” screen is displayed, press the **ENT.** key. The “REMAIN: 50” screen appears.
- 2) Set the remaining number of plates using the **◀** or **▶** key.
- 3) Press the **ENT.** key.

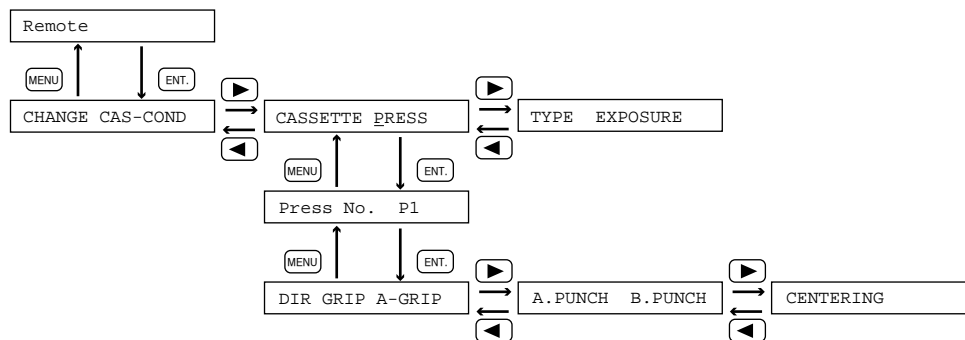
NOTE Although you can enter up to 99 for the remaining number of plates, the actual number of plates that can be put in the cassette is only 50.

4. Setting the printing machine information

This menu is for setting new output conditions or for changing existing ones, according to the printing machine that will use the plates output by the SDP. The standard settings that can be made are gripper margin, trailing gripper margin, and image centering.

In addition, if optional accessory punch systems are added, a horizontal A punch system and horizontal B punch system can be set.

Position and configuration



4.1 Selecting the printing machine No.

- 1) When the “CASSETTE PRESS” screen is displayed, press the **ENT.** key. The “Press No. P1” screen appears.
- 2) Select the printing machine number to be set or changed using the **◀** or **▶** key.
- 3) Press the **ENT.** key. The “DIR GRIP A-GRIP” screen appears.

4.2 Select the gripping direction

Select the direction for the gripping and punching when outputting the image. The relationship between the gripping direction (HORIZONTAL/VERTICAL) and the gripping and punch positioning is shown in Fig. 5-5 through Fig. 5-7.

- 1) When the “DIR GRIP A-GRIP” screen is displayed, press the **ENT.** key. The “DIR: HORIZONTAL” screen appears.
- 2) Select the gripper direction of the plate using the **◀** or **▶** key.
HORIZONTAL: Horizontal orientation
VERTICAL: Vertical orientation
- 3) Press the **ENT.** key.

NOTE After you complete setting the various information settings, the setting values are checked for contradictions. If a contradiction is discovered, the gripping direction input screen that appeared in step 1 will appear again. In such a case, correct the information settings referring to the displayed error message.

■ When the gripping direction (DIR) is set to horizontal orientation (HORIZONTAL)

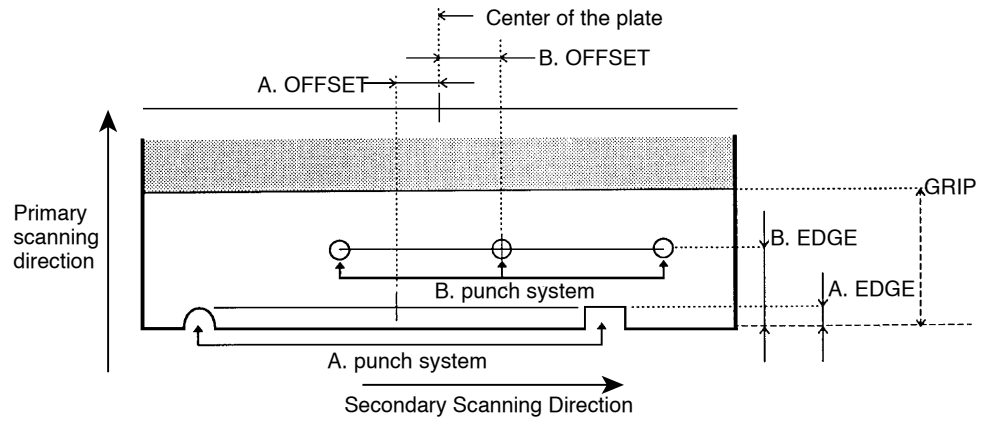


Fig. 5-1 Punch position setting

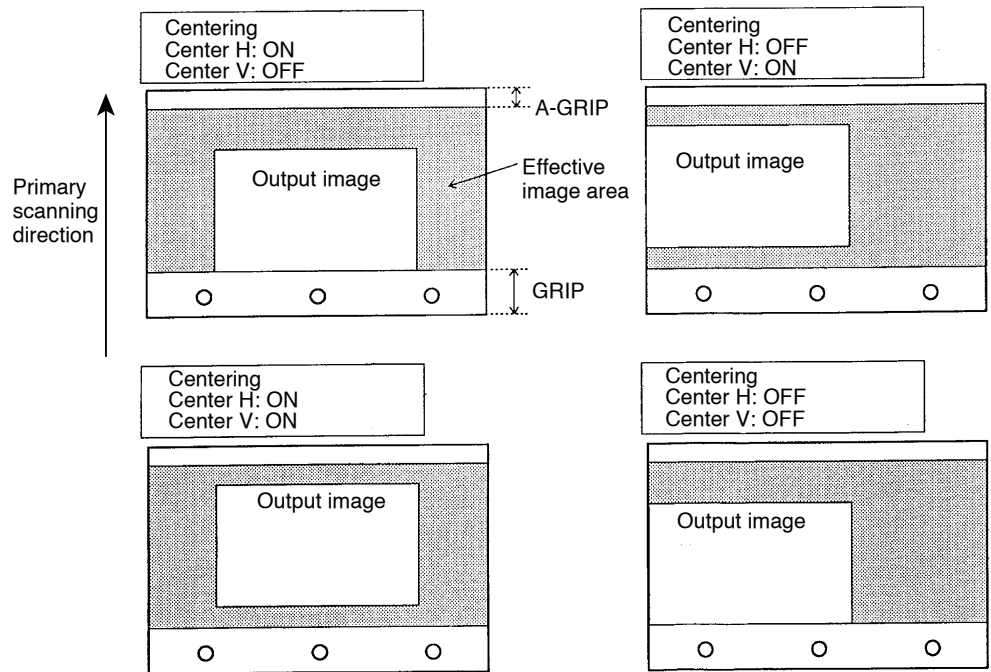


Fig. 5-2 Exposure position setting

■ When the gripping direction (DIR) is set to vertical orientation (VERTICAL)

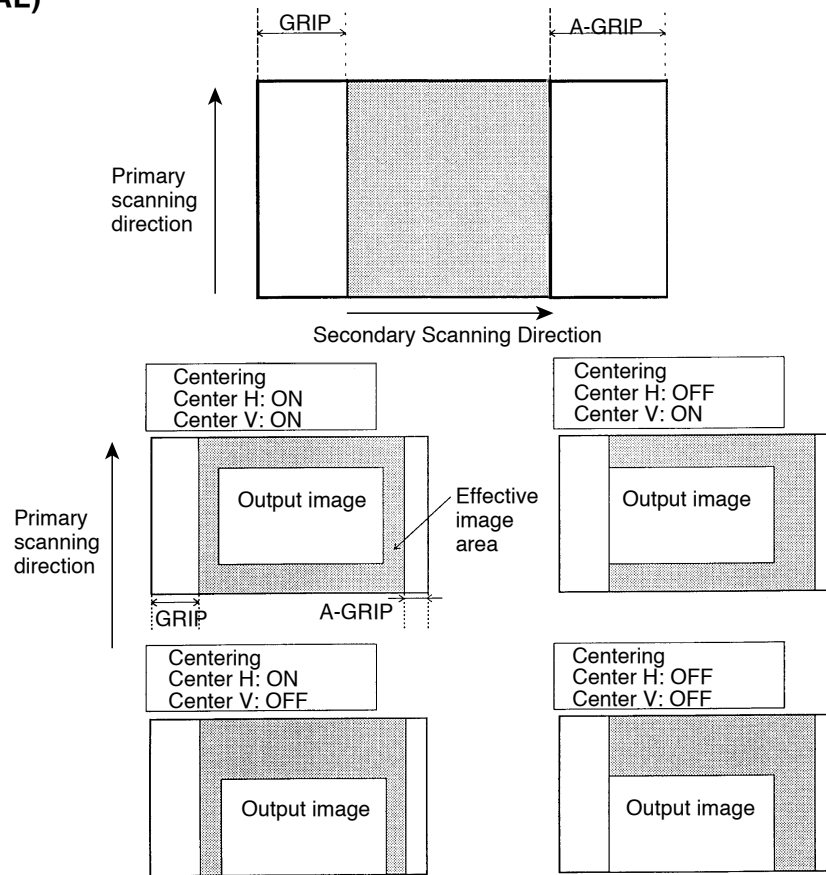


Fig. 5-7 Exposure position setting

NOTE Whenever setting the printing machine information, first verify that the gripping direction (DIR) is set properly. In addition, whenever the gripping direction (DIR) is changed, recheck all the various settings.

4.3 Setting the grip

Set the gripper margin for the printing machine that will be used with the plates output by the SDP. The position of the gripper margin (GRIP) will differ depending on the gripper direction. The gripper margin and gripping positioning is shown in Fig. 5-5 through Fig. 5-7.

- 1) When the “DIR GRIP A-GRIP” screen is displayed, press the **ENT.** key.
The “GRIP 60mm” screen appears.

Gripper margin

- 2) Using the **◀** or **▶** key, set the gripper margin within the range given below.

Allowable range: $0 \leq \text{GRIP} \leq 60 \text{ mm}$

However, even if the specified value is in the above specified range, it also must satisfy the conditions specified by relationships (1) and (2).

- (1) $280 \leq \text{Printing machine plate size in the primary scanning direction} - \text{Gripper margin (GRIP)} \leq 605 \text{ mm}$
- (2) $\text{Printing machine plate size in the primary scanning direction} - \text{Gripper margin (GRIP)} + \text{Trailing gripper edge margin (A-GRIP)} \leq 575 \text{ mm}$

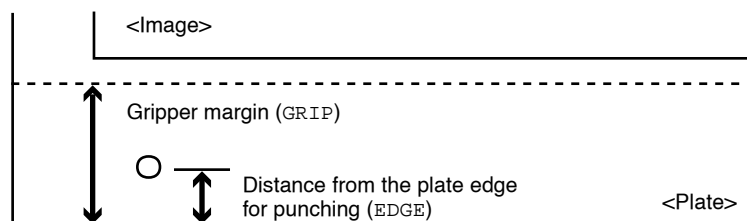
In addition, when setting the gripper margin, make sure that the following requirements are satisfied.

For U-cut type: $\text{GRIP} \geq \text{EDGE} + 10.00 \text{ mm}$

For register type: $\text{GRIP} \geq \text{EDGE} + 14.00 \text{ mm}$

For more details, refer to “**■** Setting the distance from the plate edge to punch.”

Set the gripper margin that includes the distance from the plate edge for punching.




4.4 Setting the trailing gripper edge margin

Set the trailing gripper edge margin used with the printing machine that will be used with the plates output by the SDP.

The position of the trailing gripper edge margin (A-GRIP) will differ depending on the gripper direction. The trailing gripper edge margin and trailing gripping edge positioning is shown in Fig. 5-5 through Fig. 5-7.

- 1) When the "DIR GRIP A-GRIP" screen is displayed, press the **ENT.** key. The "A-GRIP 90mm" screen appears.



Trailing gripper edge margin

- 2) Using the **◀** or **▶** key, set the trailing gripper edge margin within the range given below.

Allowable range: $0 \leq \text{A-GRIP} \leq 90 \text{ mm}$

However, even if the specified value is in the above specified range, it also must satisfy the conditions specified by relationship below.

Printing machine plate size in the primary scanning direction (SIZ) - Gripper margin (GRIP) + Trailing gripper edge margin (A-GRIP) $\leq 575 \text{ mm}$

4.5 Setting the punch

Set this when an optional punch system is installed.

NOTE The setting made is effective only when there is a punch system installed.
In addition, the setting is not effective if the gripper direction is set to the vertical orientation

- 1) In the “A.PUNCH B.PUNCH” screen, move the cursor to the desired punch system and press the **ENT** key. One of the following screens appears.

A.PUNCH(OFF) ENT For the A punch system

B.PUNCH(ON) ENT For the B punch system

Perform/not perform punching

ON: Creates the punch holes.

OFF: Does not create the punch holes.

- 2) Select ON or OFF using the **◀** or **▶** key, move the couosor to “COND”, and press the **ENT** key. One of the following screens appears.

A.EDGE A.OFFSET For the A punch system is selected.

B.EDGE B.OFFSET For the B punch system is selected.

- 3) Set the distance from the plate edge to the punch and the punch offset. (Refer to “**■** Setting the distance from plate edge to punch” and “**■** Setting the punch offset.”)

■ Setting the distance from plate edge to punch

If register is specified for the punch type, set the distance from the edge of the plate to the center of the punch hole. If U-cut is specified for the punch type, set the distance from the edge of the plate to the top of the punched edge.

- 1) When the “A.EDGE A.OFFSET” or “B.EDGE B.OFFSET” screen is displayed, press the **ENT** key. One of the following screens appears.

A.EDGE 11.00mm

B.EDGE 11.00mm

Distance from plate to punch

- 2) Using the **ENT** key, set the distance from the plate edge to within the range given below.

Allowable range: $0 \leq \text{EDGE} \leq 11.00 \text{ mm}$

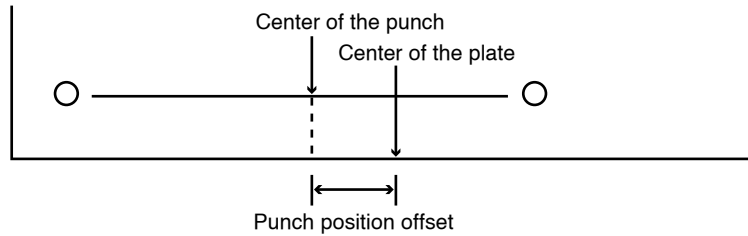
However, even if the specified value is in the above specified range, it also must satisfy the conditions below.

For U-cut type: $\text{EDGE} \leq \text{GRIP} - 10.00 \text{ mm}$

For register type: $\text{EDGE} \leq \text{GRIP} - 14.00 \text{ mm}$

■ Setting the punch offset

Set the distance that the punch is offset from the center of the plate.



- 1) When the “A.EDGE A.OFFSET” or “B.EDGE B.OFFSET” screen is displayed, press the **ENT.** key. One of the following screens appears.

A.OFFSET ±9.99

B.OFFSET ±9.99

Punch offset

- 2) Using the **ENT.** key, set the offset distance to within the range given below.

Allowable range: $-9.99 \leq \text{OFFSET} \leq +9.99$ mm

NOTE

If punching is performed when $\text{OFFSET} = 0.0$ is set and the center of the punch is located at the right of the plate center, enter a $\hat{-}$ value to shift the center of the punch to the left.

If the center of the punch is located at the left of the plate center, enter a $\hat{+}$ value to shift the center of the punch to the right.

4.6 Image centering

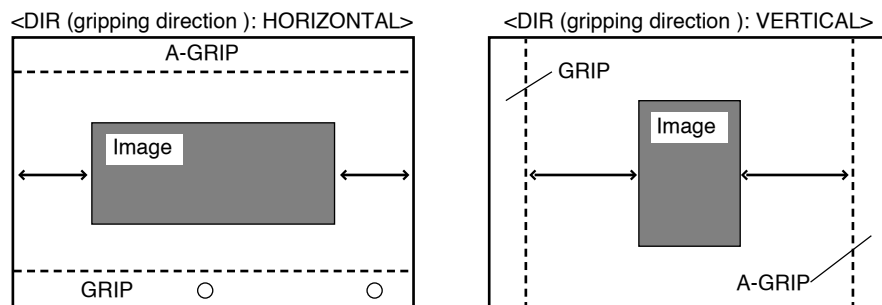
Set whether or not centering is performed in the primary and secondary scanning directions when an image is output.

- 1) When the “CENTERING” screen is displayed, press the key.
The “Center H Center V” screen appears.

■ Centering in the secondary scanning direction

If horizontal is specified as the gripping direction (DIR), image centering is applied to all of the plate in the secondary scanning direction.

If vertical is specified as the gripping direction (DIR), image centering is applied to all of the plate excluding the gripper margin (GRIP) and trailing gripper edge (A-GRIP) in the secondary scanning direction.



- 2) Use the key to select “Center H”.

Center H:

Perform/not perform centering

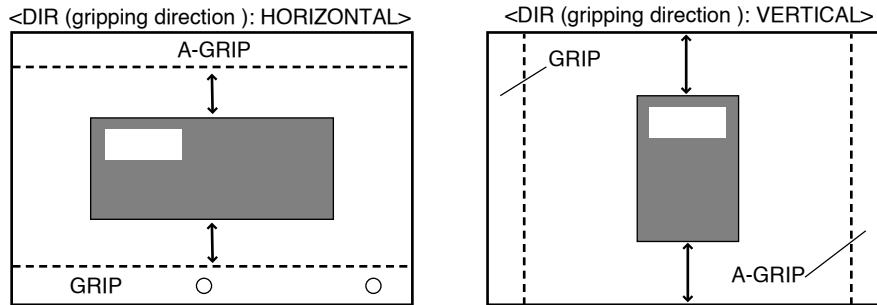
ON: Center the image with respect to the secondary scanning direction.
OFF: Do not center the image with respect to the secondary scanning direction.

- 3) Select either ON or OFF using the or key and press the key to confirm it.

■ Centering in the primary scanning direction

If horizontal is specified as the gripping direction (DIR), image centering is applied to all of the plate excluding the gripper margin (GRIP) and trailing gripper edge (A-GRIP) in the secondary scanning direction.

If vertical is specified as the gripping direction (DIR), image centering is applied to all of the plate in the secondary scanning direction.



- 4) Use the key to select "Center V".

Center V:

Perform/not perform centering

ON: Center the image with respect to the secondary scanning direction.

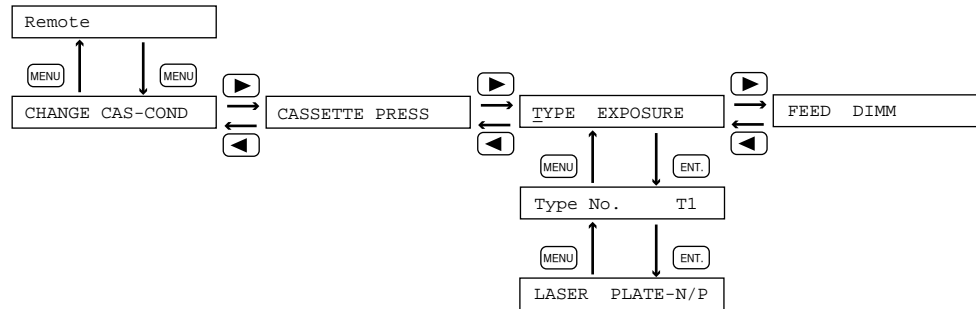
OFF: Do not center the image with respect to the secondary scanning direction

- 5) Select either ON or OFF using the or key and press the key to confirm it.

5. Setting the plate type information

This menu is for making new settings for the light intensity and plate type (negative/positive) used during exposure of the set plate or for changing existing ones.

Position and configuration



5.1 Setting the light intensity

You can set the laser light intensity for the plate that is currently set.

A different laser light intensity can be for each resolution setting. The laser light intensity set for the resolution displayed becomes effective.

NOTE The laser light intensity is linked to the plate type number that is stored in the iCASSETTE menu. If you change the plate type number, be sure to also check the light intensity value (refer to i3.4 Registering the plate type No.i).

- 1) When the “LASER PLATE-N/P” screen is displayed, press the **ENT.** key. The “LSET: 2400 100” screen appears.
- 2) Select either 2400 or 3000 as the resolution using the **◀** or **▶** key and press the **ENT.** key.
- 3) Set the laser light intensity using the **◀** or **▶** key within the range of 40 to 300.

5.2 Setting the plate type to negative or positive

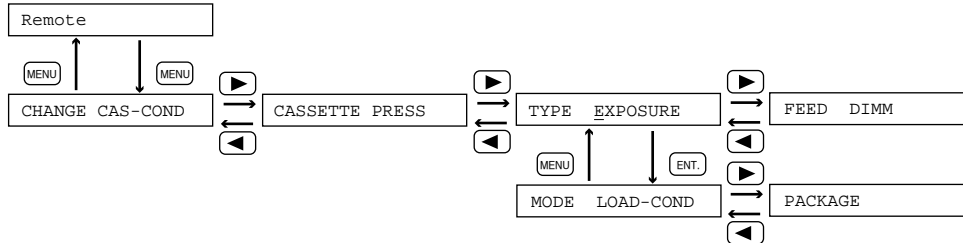
Specify whether negative or positive plates are currently set. When images are exposed to a negative plate, the SDP burns out the whole area of the plate and not just the area that contains the image.

- 1) When the “LASER PLATE-N/P” screen is displayed, press the **ENT.** key. The “PLATE-N/P: NEGA” screen appears.
- 2) Select either NEGA or POSI using the **◀** or **▶** key and press the **ENT.** key.
 NEGA: When the negative plate is used.
 POSI: When the positive plate is used.

6. Setting the exposure conditions

This menu is for setting the plate exposure conditions. The settings available are output mode, plate loading method, and package type.

Position and configuration



6.1 Output mode selections

Select the output mode of the SDP. There are two types of output modes for the SDP: the single-mode and the multi-mode. Select the mode that suits your application.

Position and configuration

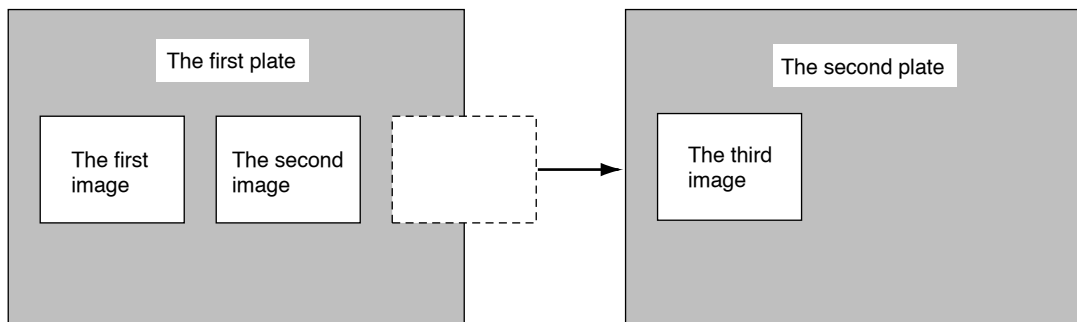
- 1) When the “MODE LOAD-COND” screen is displayed, press the **ENT.** key. The “MODE: SINGLE” screen appears.
- 2) Select either output mode using the **◀** or **▶** key and press the **ENT.** key.

SINGLE: Exposes only one image on the one plate. For exposure that is performed, one plate is output. All necessary set values are effective.

MULTIPLE: Exposes as many images as will fit on one plate in the direction that the table moves.

The image centering designation in the secondary scanning direction becomes

■ Multi-mode operating procedure



If the size of the plate to be exposed in the secondary scanning direction is larger than the area where exposure is possible, the plate is discharged.

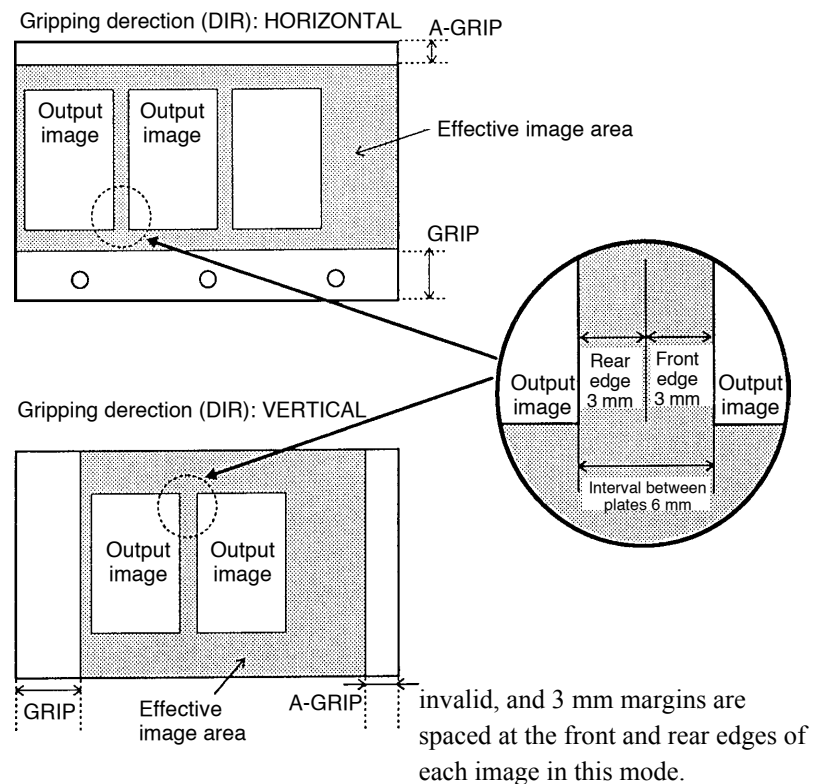


Fig. 5-4 Output mode: MULTI

6.2 Setting the plate loading method

Select the plate loading method from either automatic loading from the cassette or manual loading.

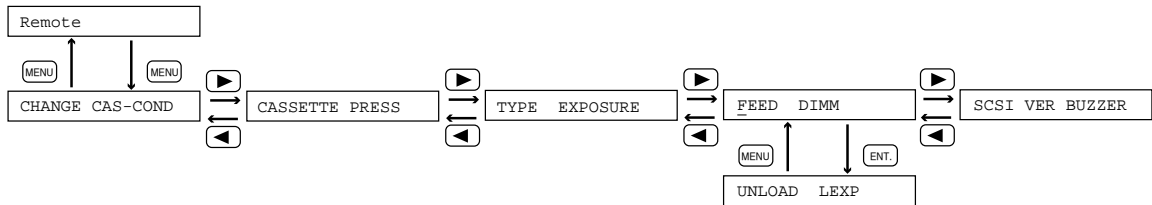
- 1) When the "MODE LOAD-COND" screen is displayed, press the **ENT.** key. The "LOAD: CAS. (C1)" screen appears.
- 2) Select either CAS or MANUAL using the **◀** or **▶** key and press the **ENT.** key.
- 3) When MANUAL is selected in step 2 above, select the cassette number from among H1 to H3 using the **◀** or **▶** key and press the **ENT.** key.

NOTE When CAS is selected, setting of the cassette number is not necessary as the SDP automatically detects it.

7. Transportation of the plate

This menu is for performing test exposure to check that the proper light intensity is set and plate unloading is carried out correctly.

Position and configuration



7.1 Discharging the plate

This command is used to discharge plates to the processor.

- 1) When the “UNLOAD LEXP” screen is displayed, press the **ENT.** key. The “UNLOAD EXEC” screen appears.
- 2) Press the **ENT.** key. The display changes to “Unloading...” and the plate discharge starts. After discharge is completed, “Complete...” appears and the LOADED lamp turns off.

NOTE If no plate has been set on the table (i.e., when the LOADED lamp is OFF), this operation cannot be performed.

7.2 Test exposure

Perform a test exposure to check the light intensity values that are set. For test exposures, two exposure patterns are available: the exposure pattern for fine adjustment, which varies the light intensity in fine increments, and that for coarse adjustment, which varies it in coarse increments. Select the type of test exposure to meet your needs.

- 1) When the “UNLOAD LEXP” screen is displayed, press the **ENT.** key. The “LEXP (24. 100) EXP” screen appears.
- 2) Select either 24 or 30 using the **◀** or **▶** key and press the **ENT.** key.
- 3) Set the laser light intensity using the **◀** or **▶** key within the range of 40 to 300.
- 4) When the “LEXP (24. 100) EXP” screen is displayed, press the **ENT.** key. The “EXP (FINE) EXEC” screen appears.
- 5) Select either exposure pattern using the **◀** or **▶** key and press the **ENT.** key.

FINE (For fine adjustment):

Depending on the resolution selected at “5.1 Setting the light intensity” and with the light intensity value as a base, the light intensity is varied as the pattern is exposed on the plate.

COARSE (For coarse adjustment):

Depending on the resolution selected at “5.1 Setting the light intensity,” the light intensity is varied as the pattern is exposed on the plate.

- 6) Press the **ENT.** key so that the test exposure starts. (Refer to Fig. 5-1 to 5-3 for more information.)

Five types of patterns are exposed with seven steps of light intensity. When “FINE” is selected, patterns are exposed varying the current light intensity value in increments of 2 from -6 to +6. When “COARSE” is selected, patterns are exposed varying the current light intensity value in increments of 14 from -42 to +42.

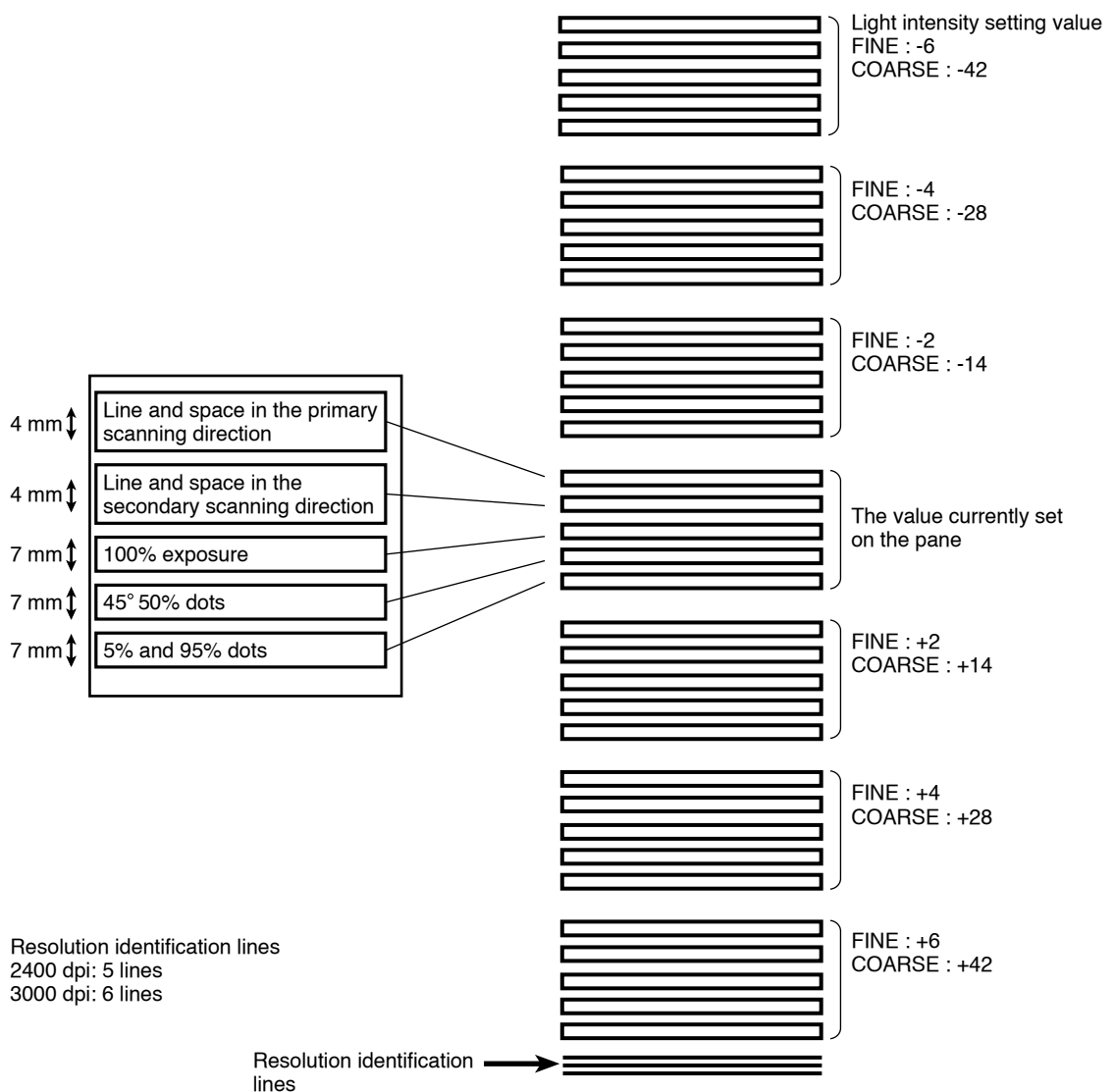


Fig. 5-1 Line and space exposure pattern in the primary scanning direction

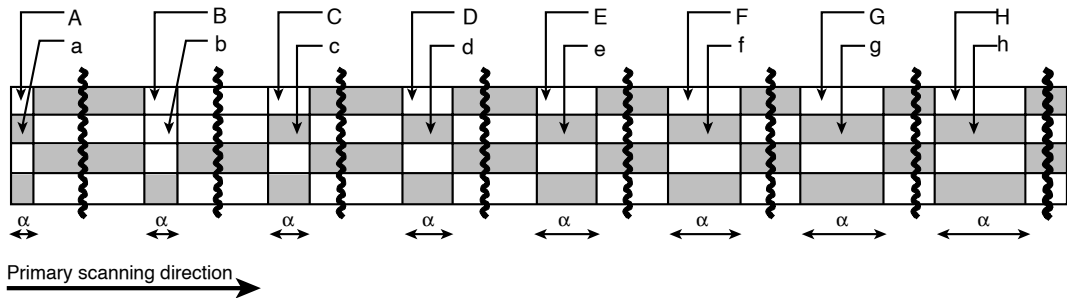
■ Line and space exposure pattern in the primary scanning direction

In the line and space exposure pattern in the primary scanning direction, the exposed and unexposed areas are formed with the same widths in the secondary scanning direction, and “A” and “a,” “B” and “b,” “H” and “h” are output each with the same widths in the primary scanning direction.

The width “a” varies in the primary scanning direction by one dot each.

There are eight types of width “a.”

Fig. 5-2 Line and space exposure pattern in the primary scanning direction



■ Line and space exposure pattern in the secondary scanning direction

In the line and space exposure pattern in the secondary scanning direction, the exposed and unexposed areas are formed with the same widths in the primary scanning direction, and “I” and “i,” “J” and “j,” “P” and “p” are output each with the same widths in the secondary scanning direction. As shown in the figure below, the width in the secondary scanning direction of the rectangular shaded areas varies in eight steps for each line.

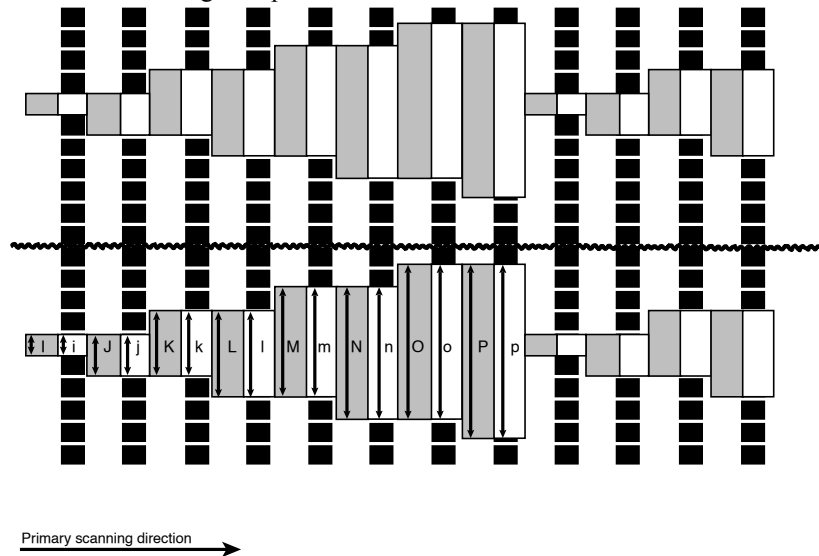


Fig. 5-3 Line and space exposure pattern in the secondary scanning direction

- 7) Perform the test exposure, and set as the optimum light intensity value the light intensity that allows the widths of “A” and “a” through “P” and “p” to be equal. If the line and space pattern in the primary scanning direction differs from that in the secondary scanning direction, determine the light intensity value giving priority to the former.

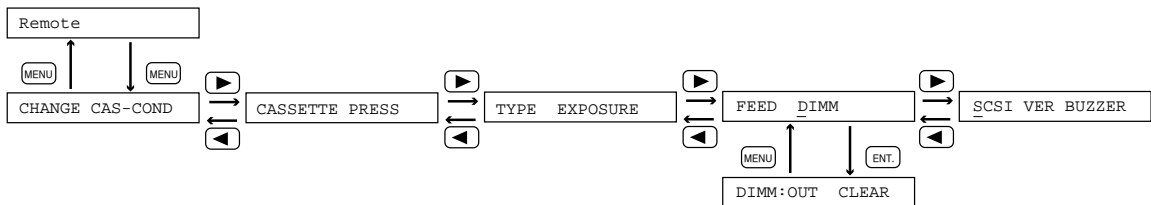
8. Processing the unexposed data

This menu outputs or deletes the unexposed data remaining in the image buffer.

If an error occurs in the SDP during exposure or plate transfer after data transmission from the host computer to the SDP is completed, and the output could not be properly completed, then that data is stored on the image buffer as unexposed data. The unexposed data is automatically output when image output is resumed from the host computer after the error is corrected.

Use this menu to output with the SDP stand-alone (output off-line) or to delete the image in the DIMM when the conditions for outputting the next image from the host computer are not met.

Position and configuration



- 1) When the “FEED DIMM” screen is displayed, press the **ENT.** key.
The “DIMM-OUT CLEAR” screen appears.

Outputting the unexposed data

- 2) Press the **ENT.** key. The “DIMM-OUT EXEC” screen appears.
- 3) Press the **ENT.** key. Output of the unexposed data on the DIMM starts.
When unexposed data for more than one image is present, it is exposed in the order that it was output from the host computer.
If this command is executed when no unexposed data exists in the image buffer, the message “Complete !” immediately appears and the exposure operation stops.

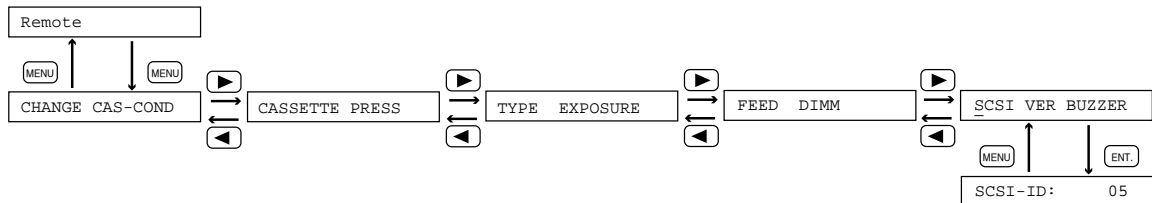
Deleting the unexposed data

- 4) Move the cursor to “CLEAR” and press the **ENT.** key.
The “DIMM-CLEAR EXEC” screen appears.
- 5) Press the **ENT.** key. All the unexposed data is deleted.

9. Switching the SCSI-ID number

The SCSI-ID command checks and changes the SCSI-ID that is currently specified. The SCSI-ID is a number used to distinguish the SDP from other SCSI devices connected to the host computer.

Position and configuration



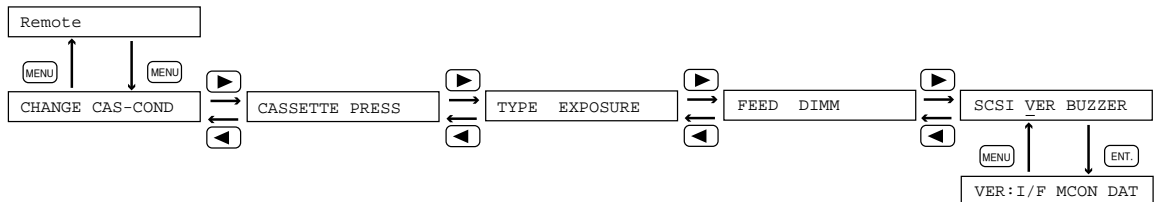
- 1) When the “SCSI VER BUZZER” screen is displayed, press the **ENT.** key.
The “SCSI-ID: 05” screen appears.
- 2) Set the SCSI-ID number within the range of 0 to 15 using the **◀** or **▶** key and press the **ENT.** key.

NOTE After changing the SCSI-ID number, turn the power OFF and then turn the power back ON. (Refer to Chapter 4 i3. Turning ON/OFF the power supply.î)

10. Displaying the program version

The SRAM board and MCON board program versions and the MCON board data version that are currently installed in the SDP- α 2500V are displayed.

Position and configuration



- 1) When the “SCSI VER BUZZER” screen is displayed, press the **ENT.** key. The “VER: I/F MCON DAT” screen appears.

To display the version of the SRAM board

- 2) Move the cursor to “I/F” and press the **ENT.** key. The version of the SRAM board program appears.

I/F: 1.00/1.00

To display the version of the MCON board

- 3) Move the cursor to “MCON” and press the **ENT.** key. The version of the MCON board program appears.

MCON: 1.00/1.00

To display the version of the data

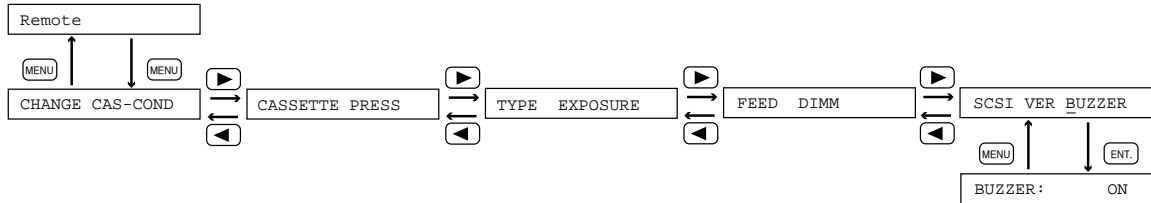
- 4) Move the cursor to “DAT” and press the **ENT.** key. The version of the MCON board data appears.

DATA: 1.00

11. Select the buzzer operation

Select whether or not the buzzer will sound when a key on the operation panel is pressed or when the SDP performs certain operations.

Position and configuration



NOTE The buzzer operation cannot be changed from the host computer.

- 1) When the “SCSI VER BUZZER” screen is displayed, press the **ENT.** key. The “BUZZER: ON” screen appears.
- 2) Select either ON or OFF using the **◀** or **▶** key and press the **ENT.** key.
 ON: The buzzer sounds.
 OFF: The buzzer does not sound.

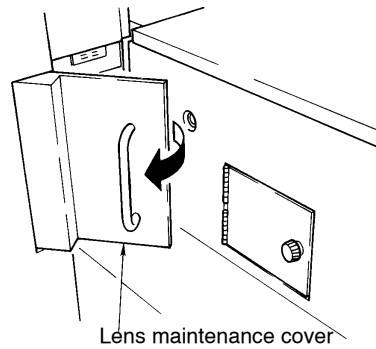
Chapter 6
Maintenance and Inspection

! WARNING

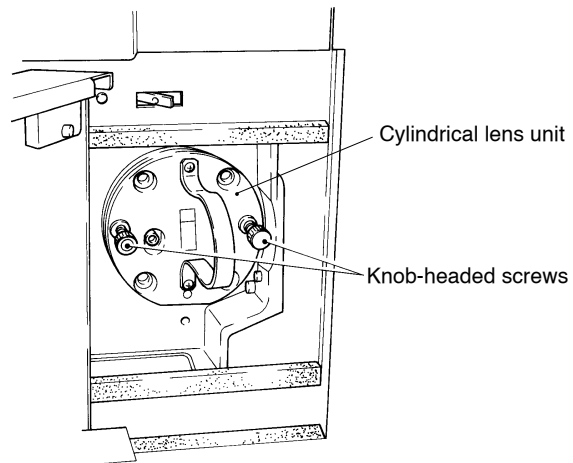
Be sure to turn off the SDP power supply switch and the factory power supply before performing maintenance or inspection work. If you do not, you may get a strong electric shock.

1. Cleaning the cylindrical lens

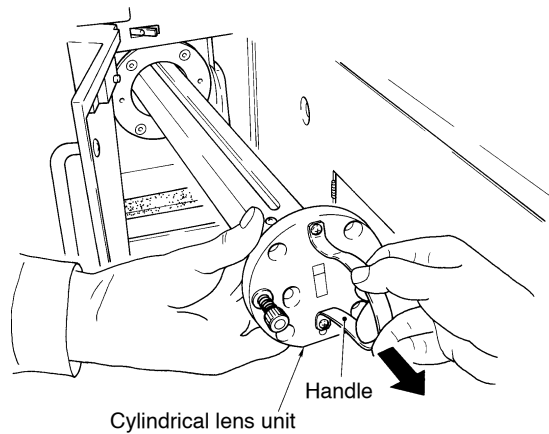
- 1) Open the lens maintenance cover.



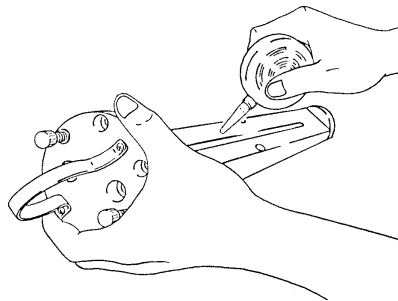
- 2) Loosen the two knob-headed screws securing the cylindrical lens unit.



- 3) Hold the handle of the cylindrical lens, and gently draw it toward you. After pulling out the unit by about 20 cm, hold it from beneath with your other hand, and draw it out completely.



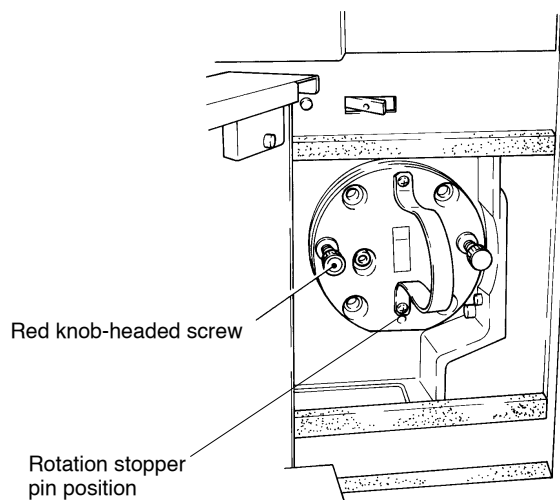
- 4) Blow off the dust or dirt with a blower.



CAUTION!

Never touch the lens directly with your hand or any other object. The cylindrical lens is made of plastic, and can thus be easily scratched, or require replacement depending upon the case.

- 5) Insert the cylindrical lens unit reversing the procedure above. The following points should be kept in mind at all times when inserting the lens unit.
- Insert the lens unit so that the red knob-headed screw is positioned on the left.
 - Insert the cylindrical lens unit's rotation stopper pin into the hole at the base of the collar on the main unit.
 - Insert the unit sufficiently toward the back.

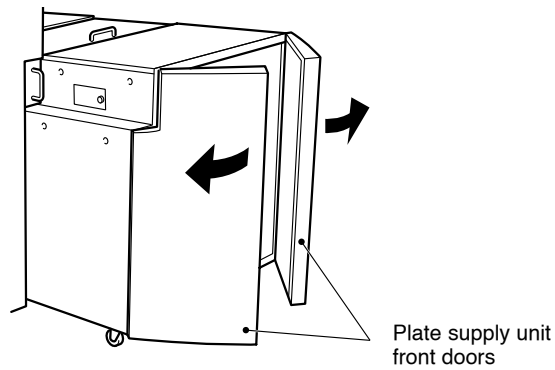


2. Collecting punch debris

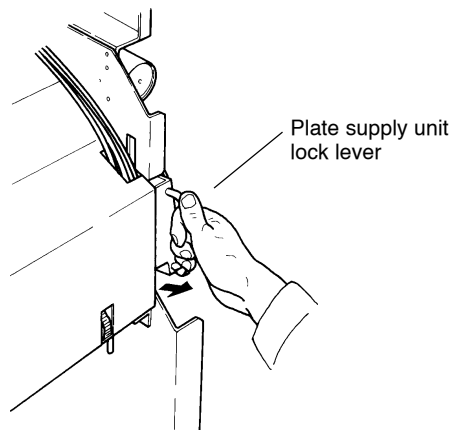
If a punch unit (optional accessory) is incorporated, it is necessary to collect the punch debris that is created whenever plates are punched. Neglecting collection of the punch debris can cause later problems. Be sure to periodically collect punch debris following the procedure described below.

NOTE The message `iPunch dust full` appears when punching has been performed over 1000 times.

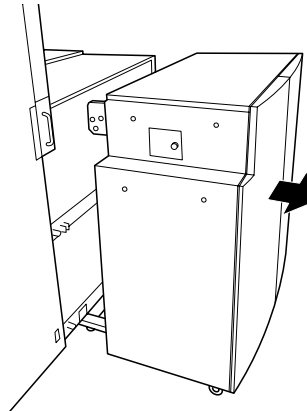
- 1) Open the front doors of the plate supply unit.



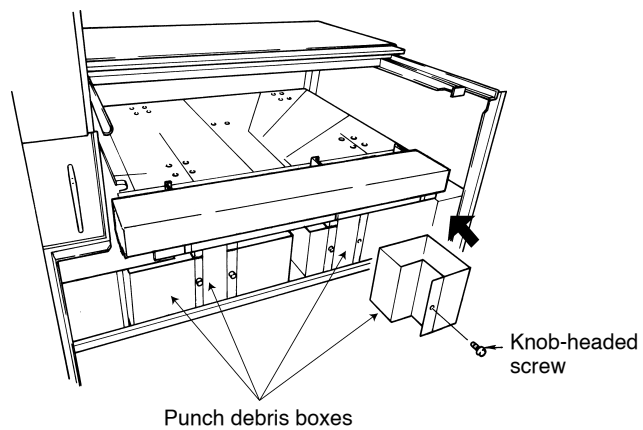
- 2) Raise toward you the plate supply unit lock levers on both inner sides of the plate supply unit. Then pull the plate supply unit out toward you a little.



- 3) Close the front doors of the plate supply unit, and slowly pull out the entire unit.



- 4) Remove the knob-headed screws that attach the punch debris boxes at the plate printing section. Then pull the punch debris boxes toward you and remove them.



- 5) After collecting the punch debris, horizontally reinsert the punch debris boxes into the SDP- α 2500V until they touch the back.
- 6) Gently push the plate supply unit back to its original position.
- 7) Press the **ENT.** key to reset the message.

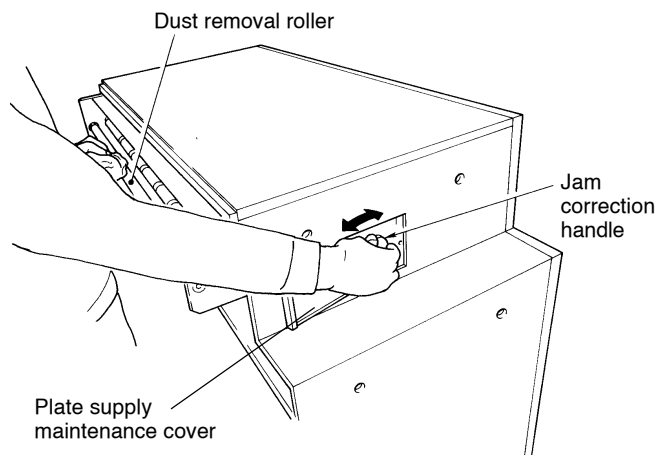
CAUTION!

ï **Confirm that the plate supply unit is securely fixed.**

ï **For disposal of the collected punch debris, consult one of the Dainippon Screen offices or agents listed at the end of this manual or commission a contractor that specializes in recycling.**

3. Cleaning the dust removal roller

- 1) Pull out the plate supply unit (Refer to steps 1 through 3 in Chapter 6 “2. Collecting punch debris”).
- 2) Open the plate supply maintenance cover after removing its knob-headed screws.
- 3) While rotating the jam correction handle, wipe the dust off the dust removal roller with an alcohol-dampened rag (a soft and clean cloth with little lint or fluff).



- 4) Close the plate supply unit maintenance cover, and slowly push the plate supply unit back to its original position.

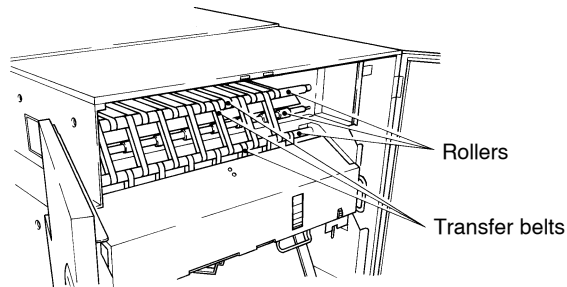
CAUTION!

Confirm the plate supply unit is securely fixed.

4. Cleaning other rollers and transfer belts

4.1 Near the front doors of the plate supply unit

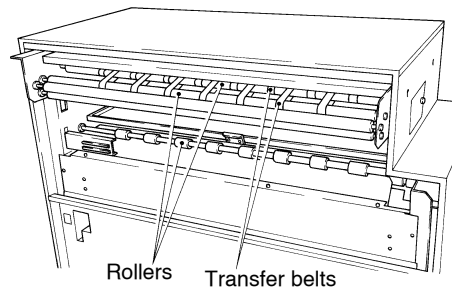
- 1) Open the front doors of the plate supply unit.
- 2) Open the plate supply maintenance cover after removing its knob-headed screws.



- 3) While rotating the jam correction handle, wipe the dust off the rollers and transfer belts with an alcohol-dampened rag (a soft and clean cloth with little lint or fluff).
- 4) Manually lift up the suction pad unit and clean it while it is raised.
- 5) Securely close the front doors of the plate supply unit, and the plate supply unit maintenance cover.

4.2 On the plate supply outlet side

- 1) Pull out the plate supply unit (Refer to steps 1 through 3 in Chapter 6 “2. Collecting punch debris”).
- 2) Open the plate supply maintenance cover after removing its knob-headed screws.



- 3) While rotating the jam correction handle, wipe the dust off the dust removal roller with an alcohol-dampened rag (a soft and clean cloth with little lint or fluff).
- 4) Close the plate supply unit maintenance cover, and slowly push the plate supply unit back to its original position.

CAUTION!

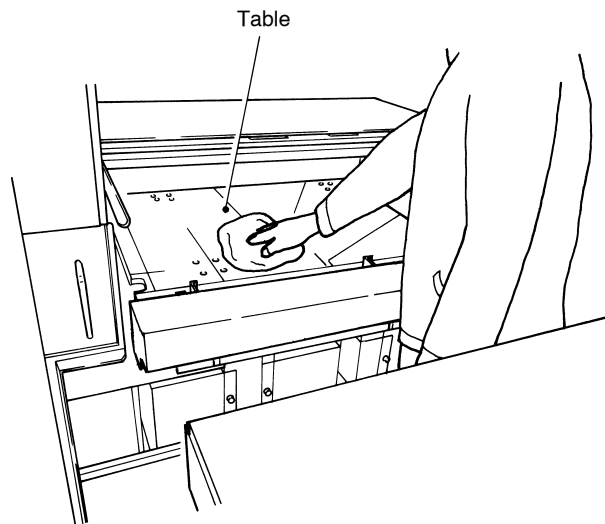
Confirm the plate supply unit is securely fixed.

5. Cleaning the table

- 1) Pull out the plate supply unit (Refer to steps 1 through 3 in Chapter 6 “2. Collecting punch debris”).
- 2) Open the upper cover of the plate supply unit.
- 3) While rotating the handle, wipe the dust off with an alcohol-dampened rag (a soft and clean cloth with little lint or fluff). Check that the plate suction holes are not clogged.
- 4) Close the plate supply unit upper cover securely, and slowly push the plate supply unit back into its original position.

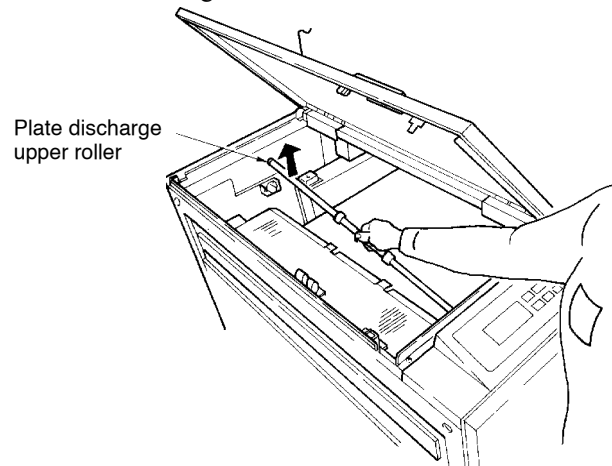
CAUTION!

Confirm the plate supply unit is securely fixed.



6. Cleaning the discharge roller

- 1) Open the plate discharge unit upper cover.
- 2) While rotating the plate discharge upper roller, wipe the roller with an alcohol-dampened rag (a soft and clean cloth with little lint or fluff) removing any dirt.
- 3) Return the discharge upper roller to its previous position, and securely close the upper cover of the discharge unit.



NOTE You can also remove the plate discharge upper roller for cleaning.

7. Maintenance parts

7.1 Information required when ordering parts

Although most parts can be replaced by users, some may have to be installed by specially trained service engineers from a Mitsubishi Paper Mills branch office or dealer.

When ordering parts, refer to the nameplate mounted on your machine and provide us with the following information.

Whether parts and installation service are both required, or only parts...
Information from nameplate: <ul style="list-style-type: none">• MODEL (Model name)• MFG. No. (Manufacturing No.)• MANUFACTURED (Date of manufacture)
Name and quantity of the required parts, and desired delivery date.

6

End of Chapter 6

Chapter 7

Messages

1. Message items

The display consists of five items: Menu, Command, Status, Error Messages and Others.

Menu display

Positioned at the top of the menu command tree, and includes the commands required to perform operations. (Refer to Chapter 4 “5. Menus and panel displays”)

Command display

Positioned below the Menu display, and allows the entry of SDP settings and actual operations. (Refer to Chapter 4 “5. Menus and panel displays” and Chapter 5 “User Menu”)

Status display

Displays messages indicating the current SDP status.

Error Messages display

An error message appears when the current SDP status is not normal, or after an error occurs during operation. During the display of an error message, the SDP will not operate. After an error is generated, an error message appears and a buzzer sounds. To reset SDP after an error message appears, press the **ENT.** key.

Information is described later on the error codes, messages, contents and processing method.


Others display

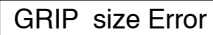
When the warning message “Punch dust full” appears, be sure to collect the punch debris. Then press the **ENT.** key to reset the punching operation count to “0.”

2. Status display



Message	Operation status
Initializing	The SDP is being initialized.
Loading...	A plate is being loaded to the exposure table.
Unloading...	A plate is being unloaded from the exposure table.
Data transferring	Data is being transferred from the host computer to the I/F section.
Recording	A plate is being exposed.
Complete	The operation has been completed. (Flashes several times)
!! Power Down !!	Turn off the power switch.
P.D not ready	The processor is now in start up mode.
P.D busy	The processor is in progress.
Waiting...	The machine is processing.
Sheet Checking...	The light shielding sheet is being checked.

3. Error display and error reset

When the SDP status is not normal, or after an error occurs during operation, an error message appears and all operations (e.g., the motor) are stopped. While the error message is displayed, the SDP will not operate. To reset the message display shown below, press the  key. The SDP will enter the local mode.

 GRIP size Error

CAUTION!

Some error messages (e.g., “plate jam (A1)”, “Shut the door”, etc.) are not reset by pressing the  key unless the error has been appropriately corrected. In such cases, first correct the error following the relevant procedure, and then press the  key again.

4. Error messages and other messages

Message	Contents and remedy
Shut the door (A)	Plate supply unit front door is open. Close the door.
Shut the door (B)	Plate supply unit is detached from the main unit. Connect the plate supply unit.
Shut the door (C)	Slide door is open. Close the slide door.
Shut the door (D)	Plate discharge unit door is open. Close the door.
Change Cassette	Replace the cassette.
Set Plate Cas	The cassette is not set. Set the cassette.
Plate empty	There are no more plates. Set new plates.
Load the Plate	Load the plate.
Interleaf error	Remove the interleaf from the plate supply unit.
Plate exist (A)	Remove the plate from the plate supply unit.
Plate exist (B)	Remove the plate from the SDP main unit.
Plate exist (C)	Remove the plate from the plate discharge unit.
Interleaf exist	Remove the interleaf from the plate supply unit.
FAN1 trouble	Fan 1 is damaged.
FAN2 trouble	Fan 2 is damaged.
FAN3 trouble	Fan 3 is damaged.
P.D power off	The processor is not powered. Turn on the power supply to the processor.
P.D not ready	The processor is not ready.
P.D error	An error occurred in the processor. Reset the error.
P.D busy	The processor is in progress.
Punch dust full	The punch debris box is full. Collect the punch debris.

Message	Contents and remedy
Restart DL-Mode	I/F program has been deleted.
Mode Mismatch	The DIPSW setting on the MCON board is wrong. Check the DIPSW setting on the MCON board.
Download error	Download operation has failed.
Check Plate (A)	Check that no plate exists in the plate supply unit.
Check Interleaf	Check that no interleaf exists in the plate supply unit.
GRIP size error	The value set for the gripper margin is out of the specified range. Re-enter a proper value.
AGRIP size error	The value set for the trailing gripper margin is out of the specified range. Re-enter a proper value.
A.EDGE size error	The value set for the distance from the plate edge for punching (A punch system) is out of the specified range. Re-enter a proper value.
B.EDGE size error	The value set for the distance from the plate edge for punching (B punch system) is out of the specified range. Re-enter a proper value.
EDGE size error	The value set for the distance from the plate edge for punching is out of the specified range. Re-enter a proper value.
Plate size error	The size of the plate in the cassette mounted to the SDP does not match the set length of the grip margin. Re-enter a proper value.
Unload the Plate	Unload the plate.
Set the Plate	Set the plate via the slide door.
Remove Sheet	Open the plate supply unit front doors and remove the light-shielding sheet or interleaf.
Stop	The STOP key was pressed. The operation is suspended.
Plate jam (A1)	A plate jam occurred in the plate supply unit. Remove the plate following the specified procedure.
Plate jam (A2)	A plate jam occurred in the plate supply unit. Remove the plate following the specified procedure.
Plate jam (A3)	A plate jam occurred in the plate supply unit. Remove the plate following the specified procedure.

Message	Contents and remedy
Plate jam (A4)	A plate jam occurred in the plate supply unit. Remove the plate following the specified procedure.
Plate jam (A5)	An interleaf jam occurred in the plate supply unit. Remove the interleaf following the specified procedure.
Plate jam (B1)	A plate jam occurred between the plate supply unit and the main unit. Remove the plate following the specified procedure.
Plate jam (B2)	A plate jam occurred in the main unit. Remove the plate following the specified procedure.
Plate jam (B3)	A plate jam occurred in the main unit. Remove the plate following the specified procedure.
Plate jam (C2)	A plate jam occurred in the plate discharge unit. Remove the plate following the specified procedure.
Plate jam (C3)	A plate jam occurred in the plate discharge unit. Remove the plate following the specified procedure.
Plate jam (C4)	A plate jam occurred in the plate discharge unit. Remove the plate following the specified procedure.
Plate jam (C7)	A plate jam occurred in the plate discharge unit. Remove the plate following the specified procedure.
Interleaf jam (1)	An interleaf jam occurred in the plate supply unit. Remove the interleaf following the specified procedure.
Interleaf jam (2)	An interleaf jam occurred in the plate supply unit. Remove the interleaf following the specified procedure.
Interleaf jam (3)	An interleaf jam occurred in the plate supply unit. Remove the interleaf following the specified procedure.
Machine error 12	An error occurred during exposure. Please contact our branch office or dealer.
Machine error 14	An error occurred when exposure started. Please contact our branch office or dealer.
Machine error 15	An error occurred when exposure started. Please contact our branch office or dealer.
Machine error 16	An error occurred with the polygon mirror. Please contact our branch office or dealer.

Message	Contents and remedy
Machine error 30	Initial communication after engaging the power supply failed. Please contact our branch office or dealer.
Machine error 31	An error occurred during the operation for detecting the main motor origin point. Please contact our branch office or dealer.
Machine error 32	An error occurred during the operation for detecting the main motor origin point. Please contact our branch office or dealer.
Machine error 33	The table overran and triggered the limit switch during the main motor operation. Please contact our branch office or dealer.
Machine error 41	An error occurred during the operation for detecting the positioning motor origin point. Please contact our branch office or dealer.
Machine error 42	An error occurred during the operation for detecting the positioning motor origin point. Please contact our branch office or dealer.
Machine error 43	The punch unit overran and triggered the limit switch during the main motor operation. Please contact our branch office or dealer.
Machine error 51	An error occurred during the pad motor operation. Please contact our branch office or dealer.
Machine error 52	An error occurred during the pad motor operation. Please contact our branch office or dealer.
Can't close Cas	The cassette shutter could not be closed. Check if a plate is caught in the cassette shutter, and remove it if necessary. If no plate is caught, please contact our branch office or dealer.
Can't open Cas	The cassette shutter could not be opened. Please contact our branch office or dealer.
Machine error 55	An error occurred during the nip roller operation. Please contact our branch office or dealer.
Machine error 56	An error occurred during the nip roller operation. Please contact our branch office or dealer.
Machine error 57	An error occurred during the punch operation. Please contact our branch office or dealer.

Message	Contents and remedy
Machine error 58	An error occurred during the processor shutter's opening/closing operation. Please contact our branch office or dealer.
Machine error 59	An error occurred during the processor shutter's opening/closing operation. Please contact our branch office or dealer.
I/F error 1	A SCSI parity error was detected. Please contact our branch office or dealer.
Serial error 01	RS communication error was detected in the engine section. Restart the SDP. If this error is detected frequently, please contact our branch office or dealer.
Serial error 00	RS communication error was detected in the engine section. Restart the SDP. If this error is detected frequently, please contact our branch office or dealer.
Image error	SCSI communication error occurred. Restart the system. If this error is detected frequently, please contact our branch office or dealer.
I/F com. error 1	SCSI communication error occurred. Restart the system. If this error is detected frequently, please contact our branch office or dealer.
I/F com. error 2	SCSI communication error occurred. Restart the system. If this error is detected frequently, please contact our branch office or dealer.
I/F com. error 3	SCSI communication error occurred. Restart the system. If this error is detected frequently, please contact our branch office or dealer.
I/F error 2	SCSI communication error occurred. Restart the system. If this error is detected frequently, please contact our branch office or dealer.
I/F error 3	SCSI communication error occurred. Restart the system. If this error is detected frequently, please contact our branch office or dealer.

Message	Contents and remedy
I/F error 4	SCSI communication error occurred. Restart the system. If this error is detected frequently, please contact our branch office or dealer.
SRAM PCB error 1	Interface board error occurred. Please contact our branch office or dealer.
SRAM PCB error 2	Interface board error occurred. Please contact our branch office or dealer.
SRAM PCB error 3	Interface board error occurred. Please contact our branch office or dealer.
No Support DIMM	Interface board error occurred. Please contact our branch office or dealer.
DIMM Verify err	Interface board error occurred. Please contact our branch office or dealer.
3.3V Reg. error	An error occurred in the power supply unit. Please contact our branch office or dealer.
Compress error	Interface board error occurred. Please contact our branch office or dealer.
Decompress error	Interface board error occurred. Please contact our branch office or dealer.
DIMM Overflow	Interface board error occurred. Please contact our branch office or dealer.

Chapter 8

Jam Correction

1. Plate jam correction

When a “Plate jam...” error message appears on the display, one or more plates are jammed in the SDP. Remove the jammed plate following the procedure described below.

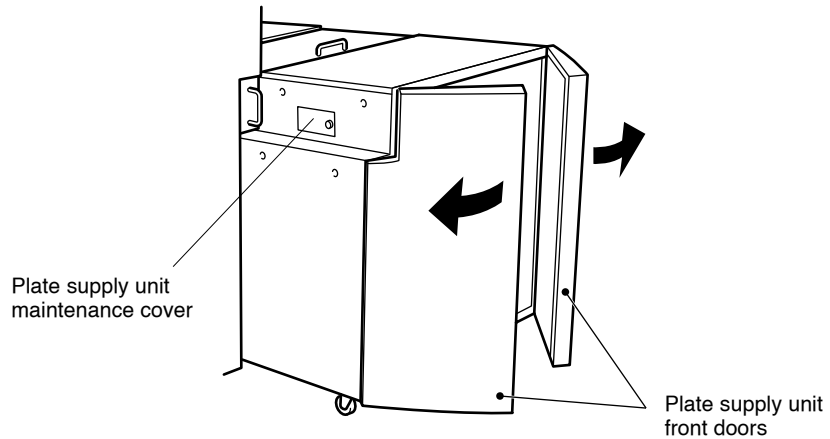
CAUTION

Wear non-slip protective gloves when removing plates to prevent your hands and fingers from being cut.

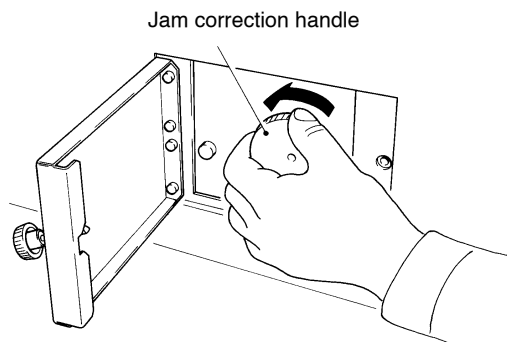
1.1 On the plate supply unit front door side

Error message: “Plate jam (A1)” or “Plate jam (A2)”

- 1) Open the plate supply unit front doors.



- 2) If a plate is jammed in the transfer rollers, open the plate supply unit maintenance cover by removing the knob-headed screw.
- 3) Lift the suction pad unit and affix it in place. (Refer to steps 4 through 6 in Chapter 4 “6.2 Setting the plates.”)
- 4) Turn the jam correction handle counterclockwise, and pull out the plate.

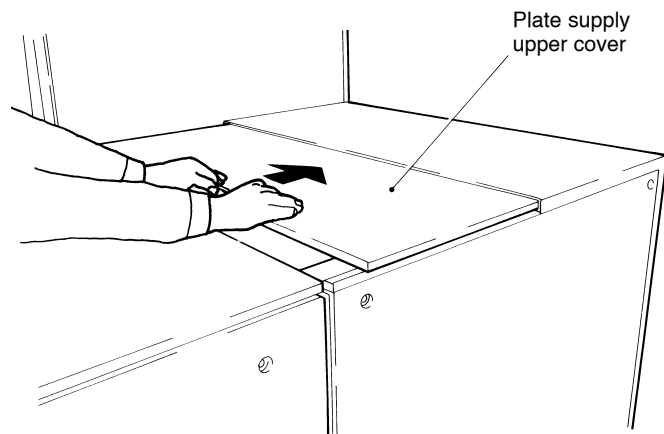


- 5) When a plate is jammed somewhere other than the transfer rollers, just pull it out.
- 6) Return the suction pad unit to its original position.
- 7) Close the plate supply unit front doors securely.

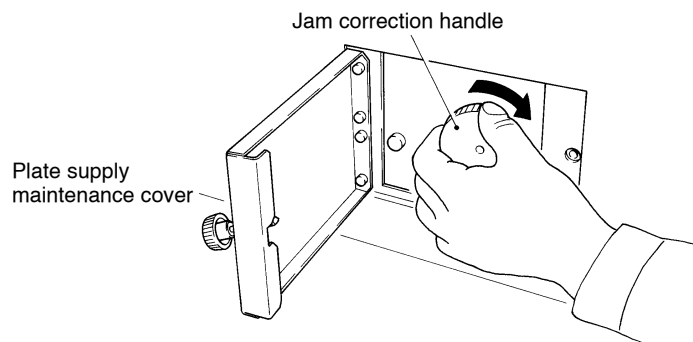
1.2 Between the plate supply unit and table

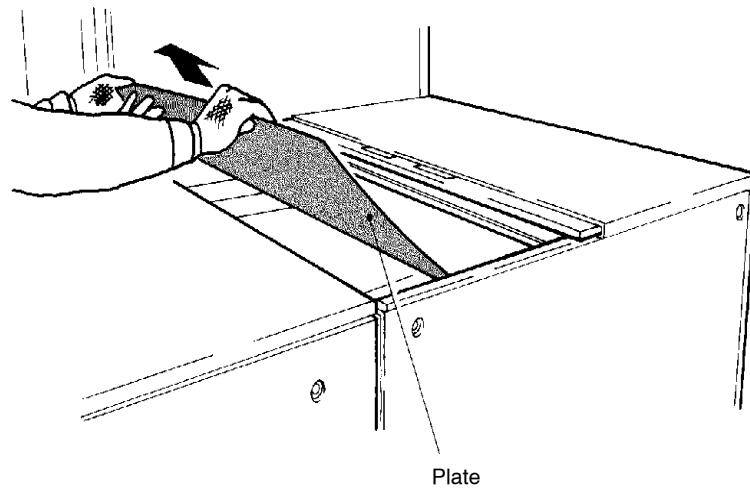
Error message: “Plate jam (A3)”, “Plate jam (A4)”, “Plate jam (B1)”, “Plate jam (B2)” or “Plate jam (B3)”.

- 1) Using both hands, open the plate supply upper cover.



- 2) If a plate is jammed in the transfer rollers, open the maintenance cover.
- 3) Turn the jam correction handle clockwise to unload the plate to the table and remove the plate.





- 4) Securely close the maintenance cover and upper cover of the plate supply unit.

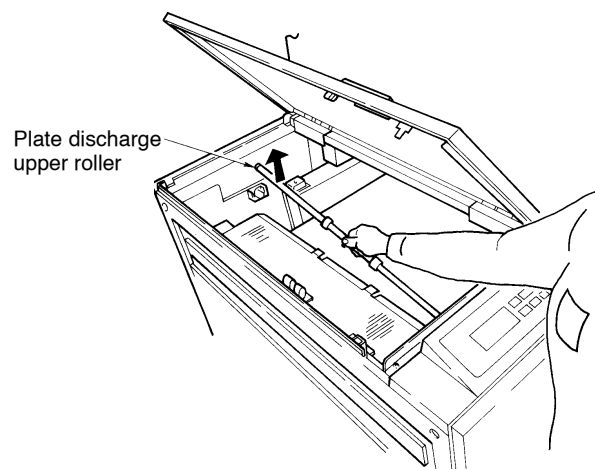
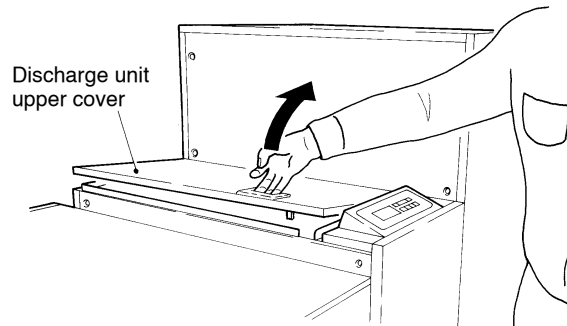
1.3 On the discharge side

Error message: “Plate jam (C2)”, “Plate jam (C3)”, or “Plate jam (C4)”.

CAUTION! **When the leading edge of the plate is in the processor, remove the plate following the instructions described in the processor’s manual.**

ii If you pull the plate toward the SDP side, the processor may be damaged.

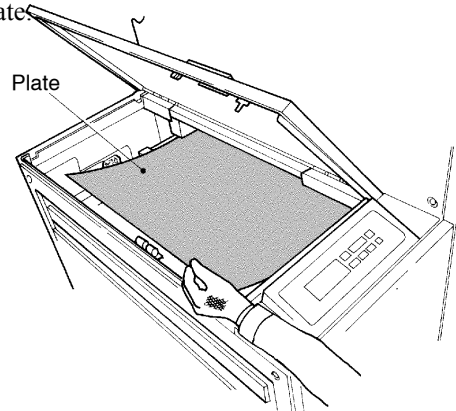
- 1) Open the plate discharge unit upper cover.



- 2) Remove the plate discharge upper roller.

CAUTION! **Do not put the plate discharge upper roller in a dirty place.**

- 3) Remove the plate



- 4) Return the plate discharge upper roller to its original position, and securely close the plate discharge unit upper cover.

2. Interleaf jam correction

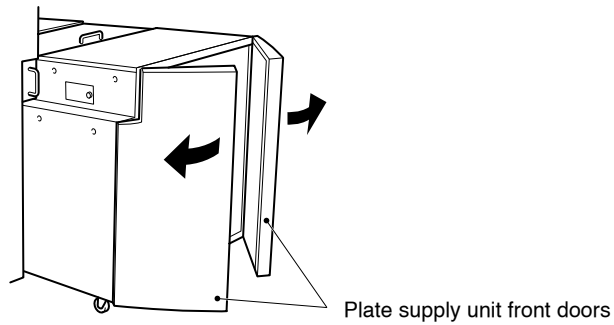
If the error message “Interleaf jam (1)”, “Interleaf jam (2)”, or “Interleaf jam (3)” appears, an interleaf jam has occurred in the SDP. Remove the jammed interleaf following the procedure described below.

2.1 On the insertion opening side

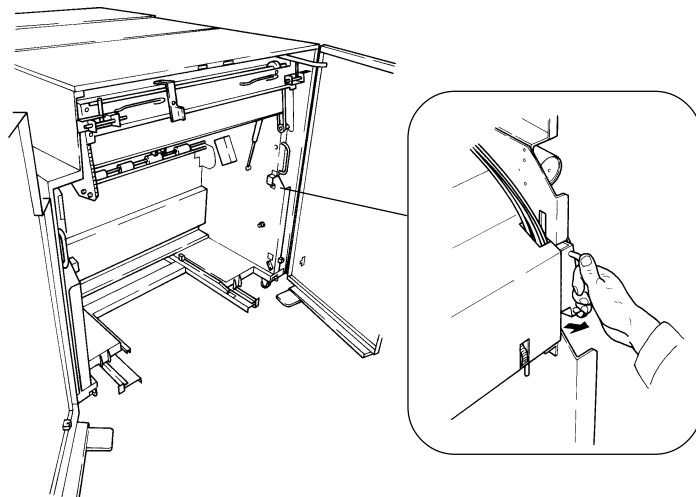
Remove the interleaf as described in “1.1 On the plate supply unit front door side”.

2.2 In the intermediate area

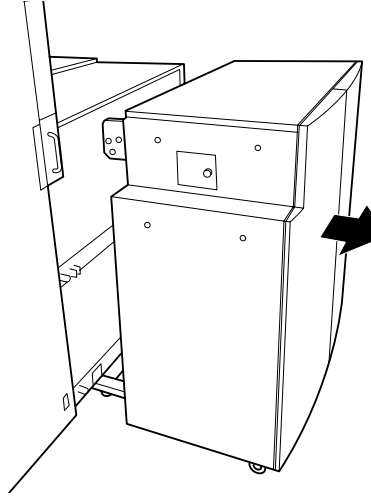
- 1) Open the plate supply unit front doors.



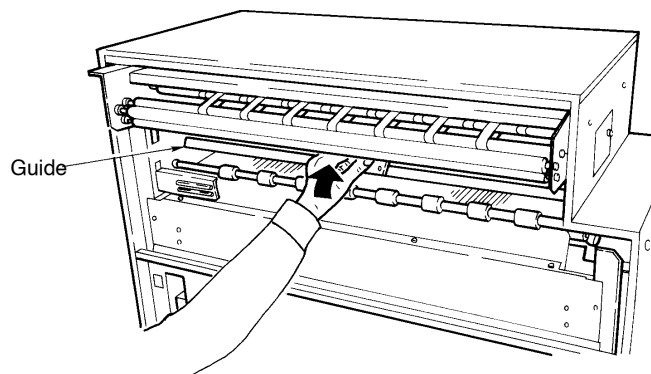
- 2) Raise toward you the plate supply unit lock levers on both inner sides of the plate supply unit. Then pull the plate supply unit toward you a little.



- 3) Close the front doors of the plate supply unit, and slowly pull out the entire unit.



- 4) Raise the guide with the handle at the rear of the plate supply unit, and remove the interleaf. If the interleaf is jammed in the transfer rollers, remove it by turning the jam correction handle after opening the maintenance cover by removing the knob-headed screw.



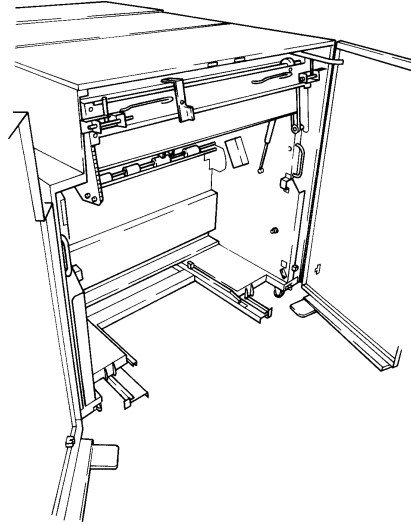
- 5) Gently push the plate supply unit back into its original position.

CAUTION!

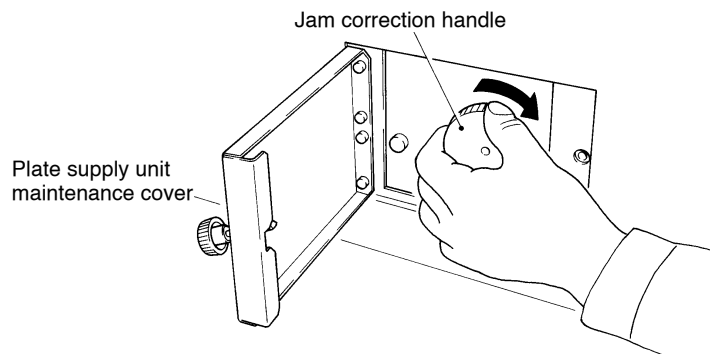
Confirm that the plate supply unit is securely fixed.

2.3 On the discharge side

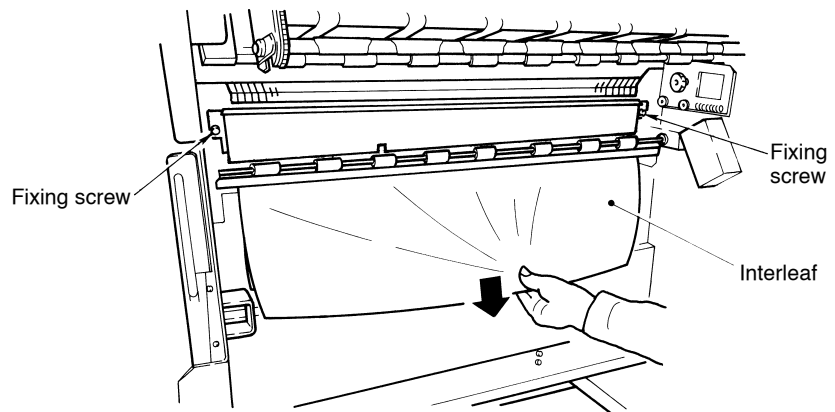
- 1) Remove the cassette carrier from the SDP. (Refer to steps 3 through 8 in Chapter 4 “6.2 Setting the plates”)



- 2) If the interleaf is jammed while being caught on the transfer rollers, open the plate supply unit maintenance cover by removing the knob-headed screw.
- 3) Turn the jam correction handle clockwise, and pull out the interleaf.



- 4) When the interleaf is jammed somewhere other than the transfer rollers, just pull it out. If it is difficult to pull out the interleaf, loosen the fixing screws on the both sides of the guide to remove the interleaf.



- 5) Return the cassette carrier to its original position. (Refer to steps 18 through 21 in Chapter 4 “6.2 Setting the plates”)
- 6) Close the plate supply unit front door securely.

Chapter 9

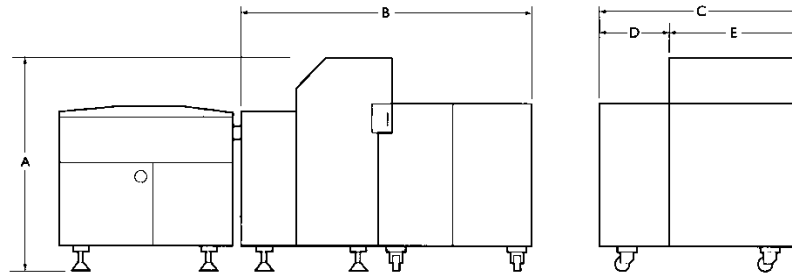
Specifications

1. Standard specifications

Model No.	SDP- α 2500V
Laser source	Purple laser diode (typ. 405 nm), 5 mW
Primary scanning mechanism	Six-sided polygon mirror scanner
Secondary scanning mechanism	Flatbed feeding by stepping motor
Plate type	Violet-sensitive silver aluminum plate, positive plate (SDP- α V)
Plate size	280 x 450 mm to 635 x 754 mm (t = 0.2 to 0.3 mm) 280 x 450 mm to 460 x 550 mm (t=0.15 mm)
Plate thickness	0.15 to 0.3 mm
Image size	Maximum 575 x 754 mm (dot quality assurance: 550 mm or less of primary scanning)
Resolution	1200 dpi, 2400 dpi, 3000 dpi
Light source for burnout	Blue LED (430 nm)
Exposure speed	7.4 mm/s at 1200, 2400 dpi 4.8 mm/s at 3000 dpi
Productivity	20 plates per hour at 1200, 2400 dpi 15 plates per hour at 3000 dpi
Plate loading	Automatic loading (with automatic interleaf removal) or manual loading
Plate unloading	Plate unloading to the processor
Plate cassette	Maximum stock volume: 50 plates (same size), carrier integrated type
Interface	SCSI-2, 16 bit
Image buffer	1 GB memory (SDRAM DIMM)
Consumable parts	LD unit Punch block Suction cup Interleaf retainer unit Delurine bearing

Model No.	SDP- α 2500V
Options	Spare plate cassette (carrier integrated type) Punch system (maximum of 2 systems and 5 blocks) Expansion memory Single SCSI cable (3 m)
External dimensions	1985 x 1394 x 1295 mm (W x D x H)
Weight	Approximately 600 kg
Power supply	Single phase 200 to 240 V (50/60 Hz), 3.5 A, 0.7 kW, 600 kcal, 2300 BTU
Installation environment (during operation)	21 to 25°C, 50 to 70% RH
Installation environment (during pause)	15 to 33°C, 30 to 80% RH
Storage and transportation environment	0 to 50°C, 10 to 80% RH (non-condensing)

2. Dimensions



	A	B	C	D	E
mm	1295	1985	1394	464	930
in.	51.8	78.1	55.7	18.5	37.2

Silver Digiplate

α2500V

USERS MANUAL

2002.3

- Publication
Graphic Arts Department
Mitsubishi Paper Mills LTD.
- Editing and printing
Tec Communications CO., LTD.

The contents of this publication may be changed without notice.

Printed in Japan